



DH2 1285 Island 120cm A Decorative Hood with Touch Control display and ECOPOWER motor



LED



Stop Delay
Timer

DESCRIPTION

120cm A Decorative Hood with Touch Control display and ECOPOWER motor

LIFE STYLE

Total

COLOURS

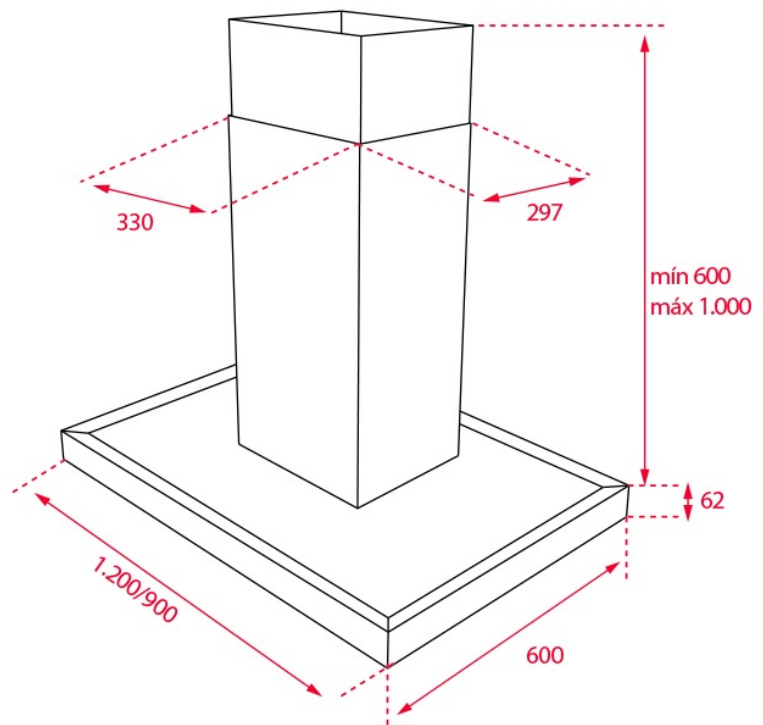


REFERENCE

REF. 40484670
EAN. 8421152145739

FEATURES

Decorative horizontal island hood
Electronic control with display
3 speeds + 1 intensive
Free Outlet exhaust capacity (m³/h): 920
Intensive speed exhaust capacity (m³/h): 796
Max speed exhaust capacity (m³/h): 605
Min speed exhaust capacity (m³/h): 311
Intensive speed sound level (dBA): 71
Max speed sound level (dBA): 66
Min speed sound level (dBA): 52
4 LED lamps
2 Aluminium filters
Stop delay timer
Filter saturation indicator
Easy-Clean Inside Panel
Operating pilot light
Optional Charcoal Filter: D4C



DIMENSIONS

Product height (mm):

Product width (mm):

Product depth (mm):

Product length (mm):

Net weight (Kg): 20,5

TECH SPECS

PARTICULAR CHARACTERISTICS

Ø Outlet (mm): 150
Type of inner light: LED
Inside light Consumption (W): 3
Plug type: European plug
Frequency (Hz): 50
Total hood power (W): 292
Number of motors: 1
Motor power (W): 230
Air flow (Qmin) m³/h: 0
Air flow (Qmax): 0
Air flow (Qboost): 0

MODELS

Number of filters: 2
Filter description: Aluminium
Control panel: Electronic soft buttons with display
Stop delay timer: Yes
Filter saturation indicator: Yes
Easy-clean inside panel: Yes
Number of speeds: 3 + 1



DH2 1285 Island

ENERGY LABEL

