



DPS 986 90cm A+ Decorative Hood with Contour Rim extraction and ECOPOWER motor



LED



Perimeter extraction



Stop Delay Timer

DESCRIPTION

90cm A+ Decorative Hood with Contour Rim extraction and ECOPOWER motor

LIFE STYLE

Maestro

COLOURS

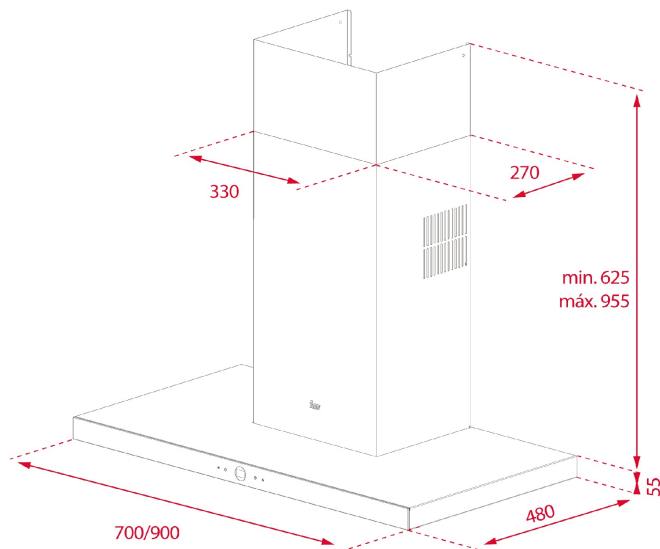


REFERENCE

REF. 40483021
EAN. 8421152157473

FEATURES

Decorative horizontal hood
Electronic control with display
Rim extraction
3 speeds + 1 intensive
Free Outlet exhaust capacity (m3/h): 920
Intensive speed exhaust capacity (m3/h): 782
Max speed exhaust capacity (m3/h): 629
Min speed exhaust capacity (m3/h): 331
Intensive speed sound level (dBA): 65
Max speed sound level (dBA): 55
Min speed sound level (dBA): 45
1 LED lamp
3 Aluminum filters
Stop delay timer
Filter saturation indicator
Operating pilot light
Anti-return valve included
Outlet reduction included
Optional recirculation kit with tube cover installation:SET 1/N1
Optional Charcoal Filter: D4C



DIMENSIONS

Product height (mm): 690-1010

Product width (mm): 900

Product depth (mm): 480

Product length (mm):

Net weight (Kg): 15,33

TECH SPECS

PARTICULAR CHARACTERISTICS

Certificates: CE; CB; Rohs
Ø Outlet (mm): 150
Type of inner light: LED
Inside light Consumption (W): 6
Plug type: Schuko plug
Power rate (V): 220240
Frequency (Hz): 50
Total hood power (W): 271
Number of motors: 1
Motor power (W): 265
Air flow (Qmin) m³/h: 320
Air flow (Qmax): 589
Air flow (Qboost): 722

ACCESSORIES

Anti Return valve: Yes
Outlet reduction: Yes
Optional Charcoal Filter: C1RTK
Regenerative charcoal filter: R1RTK
Conventional recirculation kit (opt) - w/tube cover: CFH 15200 L2C

Regenerative recirculation kit (opt) - w/tube cover: RFH 15200
L2C

MODELS

Number of filters: 3

Filter description: inox panel; aluminum filters bellow

Control panel: Electronic soft bottons with display

Stop delay timer: Yes

Filter saturation indicator: Yes

Number of speeds: 3+1



DPS 986

ENERGY LABEL

