



**RLF 74920 WT** 179cm Full No Frost Side by Side Refrigerator with 2 doors and ECO function



On Holidays  
function



Fresh Box



Full No Frost



LED

**DESCRIPTION**

179cm Full No Frost Side by Side Refrigerator with 2 doors and ECO function

**LIFE STYLE**

Maestro

**COLOURS**



**REFERENCE**

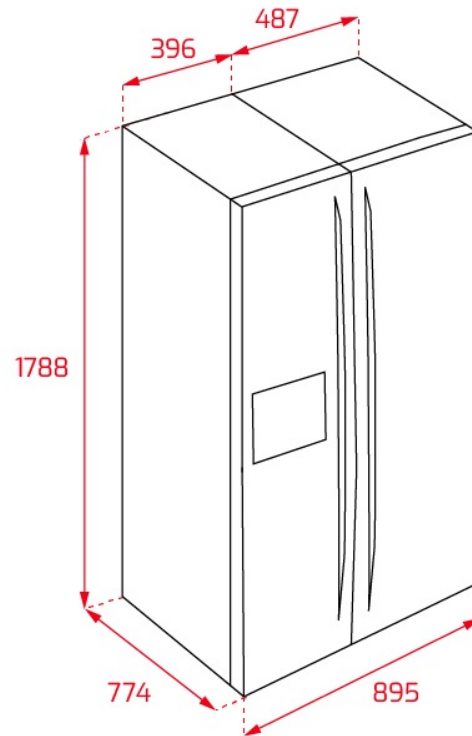
REF. 113430022  
EAN. 8434778013283



## RLF 74920 WT

### FEATURES

Free Standing side by side refrigerator  
Full No Frost  
Outer control display  
Electronic adjustable thermostat  
2 FreshBox drawers  
4 safety glass shelves  
Automatic ice maker and Automatic water dispenser  
On holidays function  
Fast freezing and fast cooling function  
Front adjustable feet  
Glass shelves in freezer  
LED Illumination  
Climate class: N/T  
Total capacity (gross/net): 573 / 490 litres



## DIMENSIONS

**Product height (mm):** 1788  
**Product width (mm):** 895  
**Product depth (mm):** 745  
**Product length (mm):**  
**Net weight (Kg):** 108

## TECH SPECS

### FITTING MEASURES

**Built-in Width (mm):** 0  
**Built-in Depth (mm):** 0  
**Built-in height (mm):** 0

### PRODUCT SHEET

**Cooling system:** FULL NF  
**No Frost In Refrigerator Compartment:** Yes  
**No Frost in chiller:** Yes  
**No Frost in freezer compartment:** Yes  
**Total gross capacity (litres):** 573  
**Refrigerator compartment capacity (litres):** 334  
**Freezer compartment capacity (litres):** 156  
**Freezer classification:** 4  
**Freezing capacity:** 14  
**Temperature Rise Time (h):** 7  
**Climate class:** N/T  
**Noise level (dB):** 43  
**Certificates:** CE, TUV, GS

### POWER SUPPLY

**Frequency (Hz):** 50

**PARTICULAR  
CHARACTERISITICS**

**Power rate (V):** 220-240  
**Power rate (W):** 188  
**Defrost element power (W):** 240  
**Energy consumption (kw/day):** 0,882  
**Plug type:** EU F TYPE(CURRENT ONE/VDE)  
**Cable Connection Length (cm):** 175

**Type of installation:** Free standing  
**Automatic defrosting in the refrigeration compartment:** Yes  
**Automatic defrosting in the freezer compartment:** Yes  
**Control panel:** LED DISPLAY  
**Electronic adjustable thermostat:** Yes  
**Display on door:** Yes  
**Fingerprint proof door:** Yes  
**Antibacterial treatment:** NO  
**Freezing set button:** Yes  
**Cooling set button:** Yes  
**Lock function:** Yes  
**Fast freezing:** Yes  
**Fast Cooling Function:** Yes  
**On Holidays Function:** Yes  
**Inner light:** Yes  
**Type of inner light:** LED  
**External handle:** Yes

**CONTROL INDICATOR LIGHTS**

**Operating light fridge:** Yes  
**Operating light freezer:** Yes  
**Freezer compartment temperature display:** Yes  
**Fast freezing indicator:** Yes  
**Acoustic alarm:** Yes

**EQUIPMENT**

**Chromed bottle rack:** NO  
**Multipurpose compartment:** NO  
**Automatic water dispenser:** Yes  
**Automatic ice maker:** Yes  
**Ice off:** Yes  
**Bottle rack type:** NO  
**Adjustable feet front:** Yes  
**Roller (rear):** Yes  
**Number of shelves:** 4  
**Refrigerator adjustable shelves:** Yes  
**Vegetable drawers:** 2  
**Temperature and humidity regulation in drawers:** FRESH BOX



RLF 74920 WT

ENERGY LABEL

