



DLV 98660 TOS Vertical decorative hood with Fresh air function in 90cm



LED



Perimeter extraction



Stop Delay Timer



Fresh AIR

DESCRIPTION

Vertical decorative hood with Fresh air function in 90cm

LIFE STYLE

Maestro

COLOURS



REFERENCE

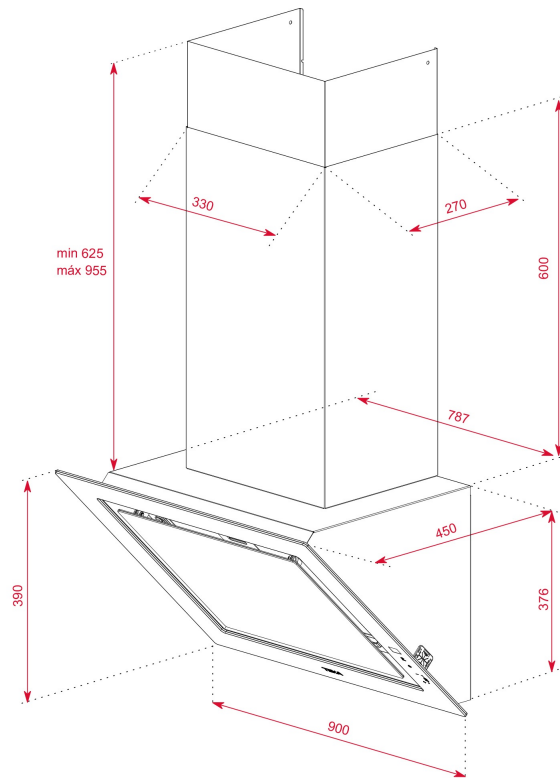
REF. 112930030
EAN. 8434778011944

FEATURES

Urban Colors Edition
Decorative vertical hood
Touch control with display
FreshAir function
3 speeds + 1 intensive
Intensive speed exhaust capacity (m³/h): 696
Max speed exhaust capacity (m³/h): 558
Min speed exhaust capacity (m³/h): 290
Intensive speed sound level (dBA): 69.9
Max speed sound level (dBA): 66.5
Min speed sound level (dBA): 51.4
1 LED lamp
2 Aluminum filters
Stop delay timer
Filter saturation indicator
Anti-return valve included
Outlet reduction included
Optional recirculation kit with tube cover installation: CFH 15200 L3C
Optional regenerative recirculation kit with tube cover installation: RFH 15200 L3C
Optional recirculation kit without tube cover installation: CFH 15200 O2C
Optional Charcoal Filter: C1RTK
Optional Regenerative filter: R1RTK

DIMENSIONS

Product height (mm): 1001-1331
Product width (mm): 900
Product depth (mm): 450
Product length (mm):
Net weight (Kg): 20,27



TECH SPECS

FEATURES

Ø Outlet (mm): 150
Removable oil collector: Yes
Type of inner light: LED BAR
Inside light Consumption (W): 7,5
Plug type: Schuko plug
Cable Connection Length (cm): 100
Power rate (V): 220/240
Frequency (Hz): 50/60
Total hood power (W): 272,5
Number of motors: 1
Motor power (W): 265
Air flow (Qmin) m³/h: 290
Air flow (Qmax): 558
Air flow (Qboost): 696

ACCESSORIES

Anti Return valve: Yes
Outlet reduction: Yes
Optional Charcoal Filter: C1RTK
Regenerative charcoal filter: R1RTK
Conventional recirculation kit (opt) - w/tube cover: CFH 15200

L3C

Regenerative recirculation kit (opt) - w/tube cover: RFH 15200

L3C

Conventional recirculation kit (opt) - w/o tube cover: CFH 15200

O2C

Regenerative recirculation kit (opt) - w/o tube cover: RFH
15200 O2C

MODELS

Number of filters: 2

Filter description: Aluminum filters

Opening system: Piston

Control panel: Touch control

Stop delay timer: Yes

Filter saturation indicator: Yes

Time clock: Yes

Number of speeds: 3 + 1

Fresh air function: Yes



DLV 98660 TOS

ENERGY LABEL

