



RBF 78615 RTR American Retro Fridge LongLife No Frost with IonClean



Motor Inverter



Eco Function



IonClean Technology



LED



LongLife No Frost



Vitacare Box



Zero Box



22L

DESCRIPTION

American Retro Fridge LongLife No Frost with IonClean

LIFE STYLE

Maestro

COLOURS

REFERENCE

REF. 113400011
EAN. 8434778017502



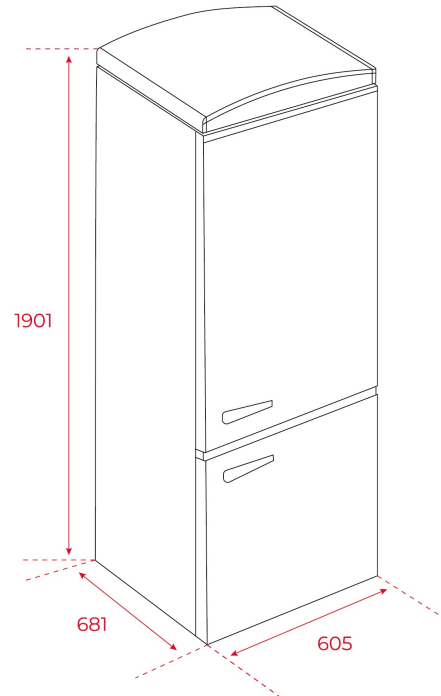
RBF 78615 RTR

FEATURES

Free Standing bottom freezer refrigerator
LongLife No Frost with 2 independent circuits
IonClean technology
Electronic adjustable thermostat
VitaCare Box drawer + ZeroBox drawer
Safety glass shelves
On holidays function
Fast freezing function
Flexi rack
Front adjustable feet
ECO Function
LED Illumination
Climate class: T/SN
Total capacity (gross/net): 341 / 324 litres
Bottle rack and ice cube tray included

DIMENSIONS

Product height (mm): 1901
Product width (mm): 605
Product depth (mm): 681
Product length (mm):
Net weight (Kg): 75



TECH SPECS

FITTING MEASURES

Built-in height (mm): 1901

PRODUCT SHEET

Cooling system: LongLife No Frost
No Frost In Refrigerator Compartment: Yes
No Frost in chiller: Yes
No Frost in freezer compartment: Yes
Total gross capacity (litres): 341
Refrigerator compartment capacity (litres): 230
Chilling Compartment Capacity (litres): 22
Freezer compartment capacity (litres): 94
Freezer classification: 4
Freezing capacity: 8,0
Annual Consumption (kWh/year): 250
Temperature Rise Time (h): 10
Climate class: SN/T
Noise level (dB): 41

POWER SUPPLY

Frequency (Hz): 50
Power rate (V): 220-240

PARTICULAR CHARACTERISTICS

Power rate (W): 197
Defrost element power (W): 145
Energy consumption (kw/day): 0,72
Plug type: EU F TYPE
Inside light Consumption (W): 2

Type of installation: Free standing
Automatic defrosting in the refrigeration compartment: Yes
Automatic defrosting in the freezer compartment: Yes
Electronic control: Yes
Control panel: ELECTRONIC
Electronic adjustable thermostat: Yes
Antibacterial treatment: IonClean
Cooling set button: Yes
Fast freezing: Yes
ECO function: Yes
Inner light: Yes
Type of inner light: SIDE LED
External handle: Yes

CONTROL INDICATOR LIGHTS

Operating light fridge: Yes
Fast freezing indicator: Yes
Acoustic alarm: Yes

EQUIPMENT

Antibacterial gasket: Yes
Multipurpose compartment: NO
Ice cubes tray: 1
Bottle rack type: CHROMED
FlexiRack: Yes
Adjustable Feet Back: Yes
Adjustable feet front: Yes
Refrigerator adjustable shelves: Yes
Vegetable drawers: 1
Temperature and humidity regulation in drawers: VitaCare Box

PRODUCT INFORMATION SHEET (UE) 2019/2016

Supplier name or trademark: TEKA
Supplier's address: C/Cajo, 17, Santander , Spain
Model identifier: RBF 78615 RTR

Type of refrigerating appliance

Low-noise appliance: 0
Design type: FREE STANDING
Wine storage appliance: 0
Other refrigerating appliance: 1

Overall dimensions (mm)

Height: 1901
Width: 605
Depth: 681
Total volume (dm³ or l): 330
Energy efficiency class: E
Airborne acoustical noise emission class: C
Annual energy consumption (kWh/a): 250
Climate class: SN/T
Minimum ambient temperature (°C), for which the refrigerating appliance is suitable: 10
Maximum ambient temperature (°C), for which the refrigerating appliance is suitable: 43
Winter setting YES/NO: 0
Compartment 1: Fresh food

Compartment 1 - Compartment Volume (l): 229,6
Compartment 1 - Recommended temperature setting for optimised food storage (°C): 4
Compartment 1 - Freezing capacity (kg/24h): NA
Compartment 1 - Defrosting type: A
Compartment 1 - Thermodynamic parameter (rc): 1
Compartment 1 - Nc: 75
Compartment 1 - Mc: 0.12
Compartment 1 - Defrost factor (Ac): 1
Compartment 1 - Built-in factor (Bc): 1
Compartment 2: 4-star
Compartment 2 - Compartment Volume (l): 100,6
Compartment 2 - Recommended temperature setting for optimised food storage (°C): -18
Compartment 2 - Freezing capacity (kg/24h): 8,4
Compartment 2 - Defrosting type: A
Compartment 2 - Thermodynamic parameter (rc): 2,1
Compartment 2 - Nc: 138
Compartment 2 - Mc: 0.15
Compartment 2 - Defrost factor (Ac): 1,1
Compartment 2 - Built-in factor (Bc): 1
Compartment 3: NA
Compartment 3 - Compartment Volume (l): NA
Compartment 3 - Recommended temperature setting for optimised food storage (°C): NA
Compartment 3 - Freezing capacity (kg/24h): NA
Compartment 3 - Defrosting type: NA
Compartment 3 - Target temperature (°C): NA
Compartment 3 - Thermodynamic parameter (rc): NA
Compartment 3 - Nc: NA
Compartment 3 - Mc: NA
Compartment 3 - Defrost factor (Ac): NA
Compartment 3 - Built-in factor (Bc): NA
Compartment 4: NA
Compartment 4 - Compartment Volume (l): NA
Compartment 4 - Recommended temperature setting for optimised food storage (°C): NA
Compartment 4 - Freezing capacity (kg/24h): NA
Compartment 4 - Defrosting type: NA
Compartment 4 - Target temperature (°C): NA
Compartment 4 - Thermodynamic parameter (rc): NA
Compartment 4 - Nc: NA
Compartment 4 - Mc: NA
Compartment 4 - Defrost factor (Ac): NA
Compartment 4 - Built-in factor (Bc): NA
Compartment 5 - Type: NA
Compartment 5 - Compartment Volume (l): NA
Compartment 5 - Recommended temperature setting for optimised food storage (°C): NA
Compartment 5 - Freezing capacity (kg/24h): NA
Compartment 5 - Defrosting type: NA
Compartment 5 - Target temperature (°C): NA
Compartment 5 - Thermodynamic parameter (rc): NA
Compartment 5 - Nc: NA
Compartment 5 - Mc: NA
Compartment 5 - Defrost factor (Ac): NA
Compartment 5 - Built-in factor (Bc): NA

Light source parameters

Light source - Type of light source: LED
Light source - Energy efficiency class: F
Minimum duration of the guarantee offered by the manufacturer (b): 24

Light source parameters

Light source - Type of light source: LED

Light source - Energy efficiency class: F
Minimum duration of the guarantee offered by the manufacturer (Years) (b): 24

Additional information:

Weblink to the manufacturer's website, where the information in point 4(a) Annex of Commission Regulation (EU) 2019/2019 (1) (b) is found: www.teka.com

(a) as determined in accordance with Commission Delegated Regulation (EU) 2019/2015 (2).

(b) changes to these items shall not be considered relevant for the purposes of point 4 of Article 4 of Regulation (EU) 2017/1369.

(c) if the product database automatically generates the definitive content of this cell the supplier shall not enter these data.

(1) Commission Regulation (EU) 2019/2019 of 1 October 2019 laying down ecodesign requirements for refrigerating appliances pursuant to Directive 2009/125/EC of the European Parliament and of the Council and repealing Commission Regulation (EC) No 643/2009 (see page 187 of this Official Journal).(2)

(2) Commission Delegated Regulation (EU) 2019/2015 of 11 March 2019 supplementing Regulation (EU) 2017/1369 of the European Parliament and of the Council with regard to energy labelling of light sources and repealing Commission Delegated Regulation (EU) No 874/2012 (see page 68 of this Official Journal).

