



MB 620 BI 20L Built-in Mechanical Microwave



Defrost By
Time

DESCRIPTION

20L Built-in Mechanical Microwave

LIFE STYLE

Easy

COLOURS



REFERENCE

REF. 40584001
EAN. 8421152145609

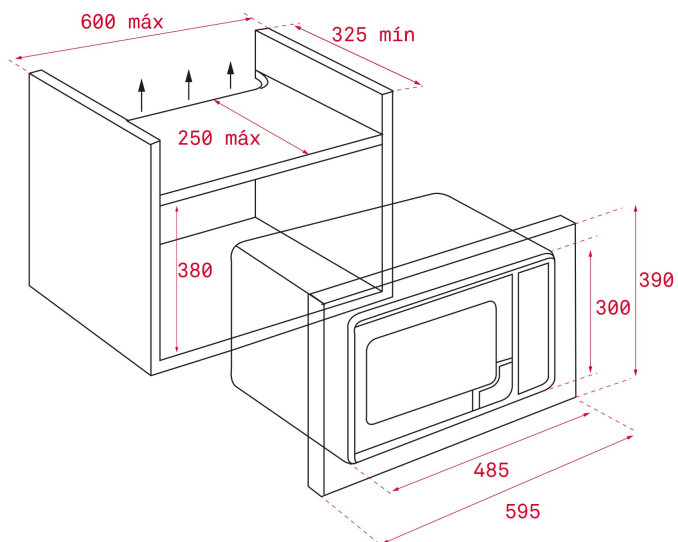


TEKA

MB 620 BI

FEATURES

Built-in Microwave
1 cooking function
5 power levels, 1200 W
Defrost by time
Mechanical control knobs
Double glazed door with left opening
Automatic disconnection when open door
Stainless steel (fingerprint proof)
Capacity (gross/net): 18 / 20 litres
Stainless steel cavity



DIMENSIONS

Product height (mm): 390

Product width (mm): 595

Product depth (mm): 325

Product length (mm):

Net weight (Kg): 18,6

TECH SPECS

PARTICULAR CHARACTERISTICS

Certificates: CE/CB

Number of cavities: 1

Number of cooking functions: 1

Number of guide levels (lower cavity): 0

Microwave function: Yes

Number of power levels: 5

ELECTRIC CONNECTION

Maximum Nominal Power (W): 1200

Frequency (Hz): 50

Power rate (V): 220 - 240

Cable Connection Length (cm): 110

Plug: Yes

SECURITY SYSTEM

Automatic disconnection when opening the door: Yes

Safety Thermostat: Yes

ENERGY EFFICIENCY

Energy Efficiency Index (EEI): A

