



# MS 620 BIS Built-in Microwave + Grill with Touch Control



Defrost By  
Time



Defrost By  
Weight



Direct Access  
Menu

**DESCRIPTION**

Built-in Microwave + Grill with Touch Control

**LIFE STYLE**

Total

**COLOURS**

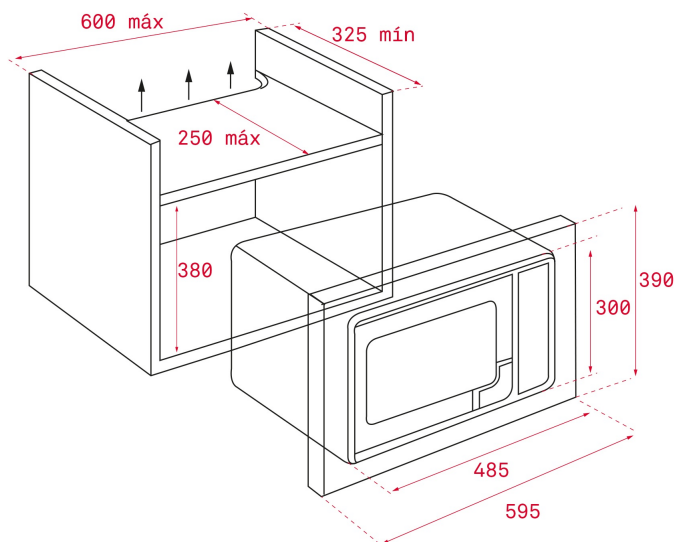


**REFERENCE**

REF. 40584010  
EAN. 8421152145579

**FEATURES**

Built-in Microwave + Grill  
3 cooking functions  
3 direct access menus  
1 memory  
5 power levels, 1200 W  
Grill power: 1000 W  
Defrost by time and weight  
Touch control display with knobs and minute minder  
Double glazed door with right opening  
Children safety lock  
Automatic disconnection when open door  
Stainless steel (fingerprint proof)  
Quick start  
Capacity (gross/net): 20 / 18 litres  
Stainless steel cavity



## DIMENSIONS

**Product height (mm):** 390  
**Product width (mm):** 595  
**Product depth (mm):** 325  
**Product length (mm):**  
**Net weight (Kg):** 18,6

## TECH SPECS

### PARTICULAR CHARACTERISTICS

**Certificates:** CE/CB  
**Number of cavities:** 1  
**Number of cooking functions:** 3  
**Number of memories:** 1  
**Grill function:** Yes  
**Number of guide levels (lower cavity):** 0  
**Microwave function:** Yes  
**Microwave + Grill function:** Yes  
**Number of power levels:** 5  
**Minute Quick Start:** Yes  
**Seconds Quick Start:** Yes

### ELECTRIC CONNECTION

**Maximum Nominal Power (W):** 1200  
**Frequency (Hz):** 50  
**Power rate (V):** 220 - 240  
**Cable Connection Length (cm):** 110  
**Plug:** Yes

### ENERGY CONSUMPTION

**Energy consumption per cycle in conventional mode (kWh):**

0.617

**Grill (W):** 1000

**Maxi Grill (W):** 1000

**SECURITY SYSTEM**

**Automatic disconnection when opening the door:** Yes

**Panel blocking system:** Yes

**Children safety block option:** Yes

**Safety Thermostat:** Yes

**CLEANING SYSTEM**

**Fingerprint proof stainless steel:** Yes

**ACCESSORIES**

**Glass Tray:** 0

**ENERGY EFFICIENCY**

**Energy Efficiency Index (EEI):** A

