



# MS 622 BIS L Built-in Microwave with ceramic base + Grill



Ceramic base



Defrost By Time



Defrost By Weight



Direct Access Menu



Electronic Door Opening



22L

## DESCRIPTION

Built-in Microwave with ceramic base + Grill

## LIFE STYLE

Total

## COLOURS

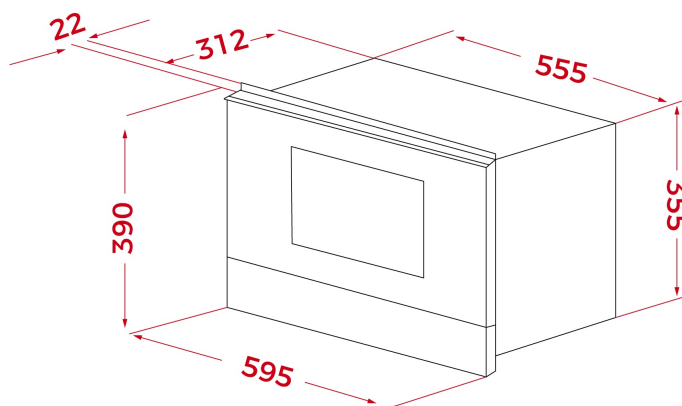


## REFERENCE

REF. 40584100  
EAN. 8421152145524

**FEATURES**

Built-in Microwave + Grill  
Ceramic base with uniform heating  
3 cooking functions  
2 direct access menus  
5 power levels, 2500 W  
Grill power: 1200 W  
Defrost by time and weight  
Touch control display with knobs and minute minder  
Double glazed door with right opening  
Electronic door opening  
Children safety lock  
Automatic disconnection when open door  
Incandescent inner light  
Dropdown grill  
Quick start  
Capacity (gross/net): 22 / 21.56 litres  
Stainless steel cavity  
Tangential ventilation



## DIMENSIONS

**Product height (mm):** 390  
**Product width (mm):** 595  
**Product depth (mm):** 334  
**Product length (mm):**  
**Net weight (Kg):** 22

## TECH SPECS

### FEATURES

**Certificates:** CE/CB  
**Number of cavities:** 1  
**Type of inner light:** INCANDESCENT  
**Inside light position:** RIGHT  
**Number of cooking functions:** 3  
**Grill function:** Yes  
**Drop-down grill:** Yes  
**Number of guide levels (lower cavity):** 0  
**Forced refrigeration tangential 1 speed:** Yes  
**Microwave function:** Yes  
**Microwave + Grill function:** Yes  
**Number of power levels:** 5  
**Minute Quick Start:** Yes  
**Seconds Quick Start:** Yes  
**Tangential ventilation:** Yes

### ELECTRIC CONNECTION

**Maximum Nominal Power (W):** 2500  
**Frequency (Hz):** 50  
**Power rate (V):** 220-240  
**Cable Connection Length (cm):** 110

## **ENERGY CONSUMPTION**

**Plug:** Yes  
**Inside light Consumption (W):** 20

**Energy consumption per cycle in conventional mode (kWh):**  
0.36  
**Grill (W):** 1200  
**Maxi Grill (W):** 1200  
**Cooling Fan Motor (W):** 18

## **SAFETY SYSTEMS**

**Automatic disconnection when opening the door:** Yes  
**Panel blocking system:** Yes  
**Children safety block option:** Yes  
**Grill protection:** Yes  
**Safety Thermostat:** Yes

## **ACCESSORIES**

**Glass Tray:** 0

## **ENERGY EFFICIENCY**

**Energy Efficiency Index (EEI):** A

