



# MS 622 BI L Built-in Mechanical Microwave with ceramic base



Ceramic base



Defrost By Time



22L

**DESCRIPTION**

Built-in Mechanical Microwave with ceramic base

**LIFE STYLE**

Total

**COLOURS**



**REFERENCE**

REF. 40584102  
EAN. 8421152145548

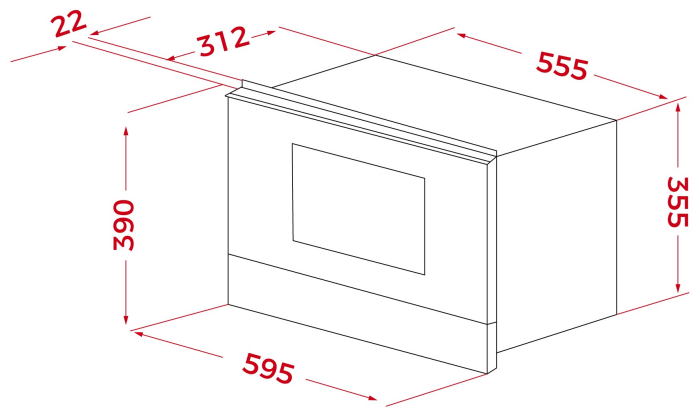


**TEKA**

**MS 622 BI L**

**FEATURES**

Built-in Microwave  
Ceramic base with uniform heating  
1 cooking function  
5 power levels, 1400 W  
Defrost by time  
Mechanical control knobs  
Double glazed door with right opening  
Automatic disconnection when open door  
Incandescent inner light  
Capacity (gross/net): 22 / 21.56 litres  
Stainless steel cavity  
Tangential ventilation



## DIMENSIONS

**Product height (mm):** 390  
**Product width (mm):** 595  
**Product depth (mm):** 334  
**Product length (mm):**  
**Net weight (Kg):** 21,6

## TECH SPECS

### PARTICULAR CHARACTERISTICS

**Certificates:** CE/CB  
**Type of inner light:** INCANDESCENT  
**Inside light position:** RIGHT  
**Number of cooking functions:** 1  
**Number of guide levels (lower cavity):** 0  
**Forced refrigeration tangential 1 speed:** Yes  
**Microwave function:** Yes  
**Number of power levels:** 5  
**Tangential ventilation:** Yes

### ELECTRIC CONNECTION

**Maximum Nominal Power (W):** 1400  
**Frequency (Hz):** 50  
**Power rate (V):** 220-240  
**Cable Connection Length (cm):** 110  
**Plug:** Yes  
**Inside light Consumption (W):** 20

### ENERGY CONSUMPTION

**Cooling Fan Motor (W):** 18

**SECURITY SYSTEM**

**Automatic disconnection when opening the door:** Yes

**Safety Thermostat:** Yes

**ACCESSORIES**

**Glass Tray:** 0

