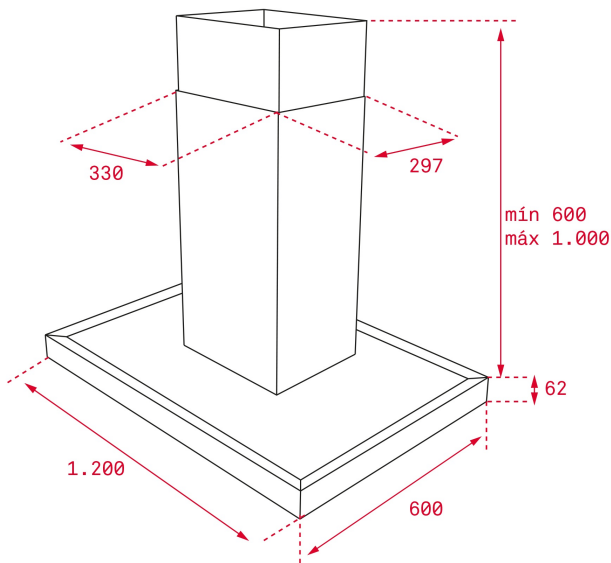


DH2 ISLA 1285

Decorative island hood with electronic panel and EcoPower motor, 120cm A+



LED

Stop Delay
Timer**REFERENCE**

REF: 40484671

EAN: 8421152145746

FEATURES

Decorative horizontal island hood
 Electronic control with display
 3 speeds + 1 intensive
 Free Outlet exhaust capacity (m³/h): 920
 Intensive speed exhaust capacity (m³/h): 796
 Max speed exhaust capacity (m³/h): 605
 Min speed exhaust capacity (m³/h): 311
 Intensive speed sound level (dBA): 71
 Max speed sound level (dBA): 66
 Min speed sound level (dBA): 52
 4 LED lamps
 2 Stainless Steel filters
 Stop delay timer
 Filter saturation indicator
 Easy-Clean inside panel
 Operating pilot light
 Anti-return valve included
 Outlet reduction included
 Optional recirculation kit with tube cover installation: SET 1/T1
 Optional Charcoal Filter: D4C

DIMENSIONS**Product height (mm):** 817 / 1117 + 62**Product width (mm):** 1200**Product depth (mm):** 600**Product length (mm):****Net weight (Kg):** 19,2**TECHNICAL DETAILS**

Energy Efficiency Class: A

Noise (LwA) Min Speed (dB): 52

Noise (LwA) Max Speed (dB): 66

Noise (LwA) Boost Speed (dB): 71

Ø Outlet (mm): 150

COLOURS

40484671 Stainless steel



40484670 Stainless steel