

REFERENCE

REF: 112930017

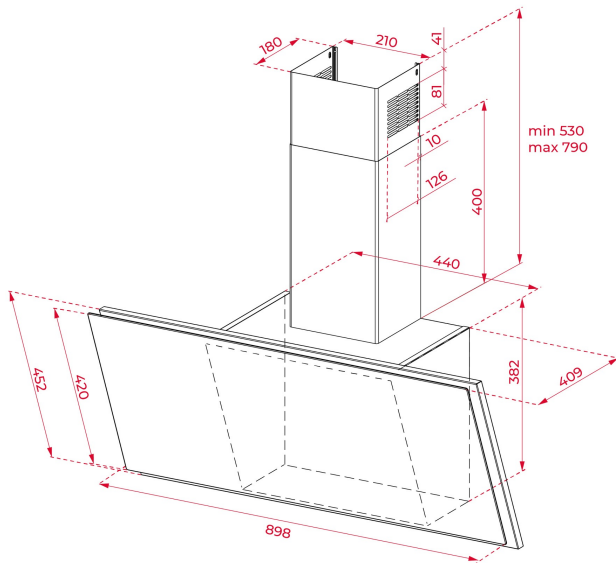
EAN: 8434778010718



LED

Perimeter
extractionStop Delay
Timer

Fresh AIR



FEATURES

- Urban Colors Edition
- Decorative vertical hood
- Touch control
- FreshAir function
- Brushless EcoPower Motor
- 3 speeds + 1 intensive
- Intensive speed exhaust capacity (m3/h): 740
- Max speed exhaust capacity (m3/h): 400
- Min speed exhaust capacity (m3/h): 270
- Intensive speed sound level (dBA): 59
- Max speed sound level (dBA): 48
- Min speed sound level (dBA): 42
- 2 LED lamps
- 2 Aluminum Filters
- Stop delay timer
- Filer saturation indicator
- Outlet reduction included
- Optional recirculation kit with tube cover installation: SET D11CTP
- Optional regenerative recirculation kit with tube cover installation: Set D12CTP
- Optional Charcoal Filter: D11C
- Optional Regenerative filter: D12C

DIMENSIONS

Product height (mm): 912-1172

Product width (mm): 898

Product depth (mm): 409

Product length (mm):

Net weight (Kg): 12,9

TECHNICAL DETAILS

- Energy Efficiency Class: A++
- Noise (LwA) Min Speed (dB): 53
- Noise (LwA) Max Speed (dB): 61
- Noise (LwA) Boost Speed (dB): 71
- Ø Outlet (mm): 150

COLOURS



112930017 Black



112930020 White