

**Stone 60 S-TG 1B 1D**

Inset Tegrinite sink with one bowl and one drainer

**REFERENCE**

REF: 115330038

EAN: 8434778006469

**FEATURES**

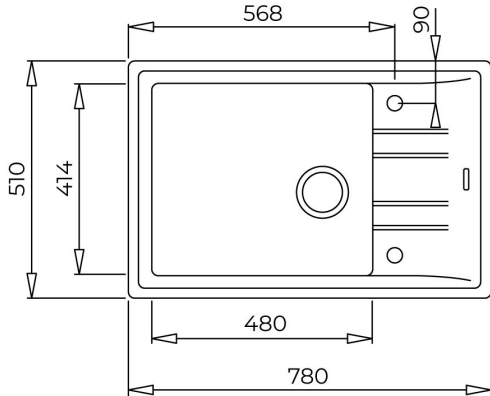
Stone Series  
 Tegrinite+ sink  
 One bowl and one drainer  
 High resistance surface to impacts, thermal shocks and high temperatures  
 Excellent UV resistance against decoloring  
 Bacteria-free surface very easy to clean  
 Inset installation  
 80% quartz and resins  
 3½" automatic basket waste with siphon  
 200 mm deep bowl  
 60 cm base unit

200mm  
depthColour  
Intensity

Easy Clean



Food safe

High  
resistance**DIMENSIONS****Product height (mm):****Product width (mm):** 510**Product depth (mm):** 200**Product length (mm):** 780**Net weight (Kg):** 11**COLOURS**

	115330038	Metallic black
	115330035	Dark grey
	115330035	White
	115330035	Topasbeige
	115330035	Sandbeige
	115330035	Carbon
	115330035	Metallic grey