



SPA TKD 1270 7kg A+++ Free Standing Washing Machine



A Energy Class



Hand Wash



Quick Cycle



Washing capacity: 7Kg

DESCRIPTION

7kg A+++ Free Standing Washing Machine

LIFE STYLE

Maestro

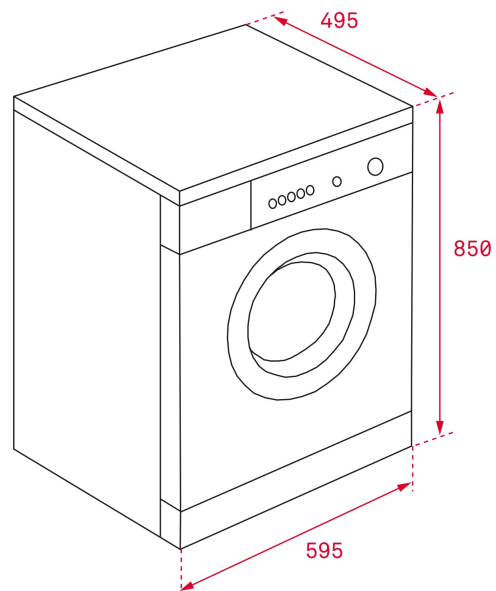
COLOURS

REFERENCE

REF. 40874301
EAN. 8421152131640

FEATURES

Free standing washing machine
Washing capacity: 7 Kg
16 washing programs
Maximum spin speed: 1200 r.p.m
Electronic control panel
LCD display
Electronic washing management (Fuzzy Logic)
Fast program 15 minutes
My Cycle program
Special programs: wool, children's clothing and 15'
Delay timer 1-24h
Balance control system
Locking system in case of lack of water or electricity
Foam control system
32 cm wide porthole
Function buttons for: on/off, program selector, delay programming, temperature, spinning exclusion and special functions
Energy class: A+++/B



DIMENSIONS

Product height (mm): 850
Product width (mm): 595
Product depth (mm): 495
Product length (mm):
Net weight (Kg): 61

TECH SPECS

PRODUCT SHEET

Type of load: Front
Type of installation: Free standing
Washing capacity (Kgs): 7
Energy Efficiency Class: A+++
Spinning efficiency: B
Energy consumption (kWh/year): 175
Water consumption (litres/year): 10000
Maximum spinning speed (RPM): 1200
Certificates: CE + Reach + ERP

POWER SUPPLY

Frequency (Hz): 50
Power rate (V): 220-240
Maximum Nominal Power (W): 2050
Nominal power motor (W): 450
Power of heating element (W): 1800

PARTICULAR CHARACTERISTICS

Stainless Steel Drum: Yes
Glass door diameter (cms): 32
Number of programs: 16

CONTROL INDICATOR LIGHTS

SPECIAL FUNCTIONS

EQUIPMENT

Number Of Washing Temperatures: 6

Control panel: Electronic

Electronic washing management: Yes

Child lock: Yes

Auto lock door: Yes

Cancel spin cycle button: Yes

Selected program indicator: Yes

Remaining time: Yes

Fast program: Yes

Fast program (minutes): 15

Economic program: Yes

Intense program: Yes

Delayed Timer (h): 1-24

Extra rinse: Yes

Delicate fabrics: Yes

Quick Wash: Yes

Adjustable Feet Back: Yes

Adjustable feet front: Yes



SPA TKD 1270

ENERGY LABEL

