



HLF 940 90cm Multifunction SurroundTemp Oven with 77L capacity



Full Extension
Telescopic
Guide



77L



HydroClean



SurroundTemp

DESCRIPTION

90cm Multifunction SurroundTemp Oven with 77L capacity

LIFE STYLE

Maestro

COLOURS



REFERENCE

REF. 41592223
EAN. 8421152155042

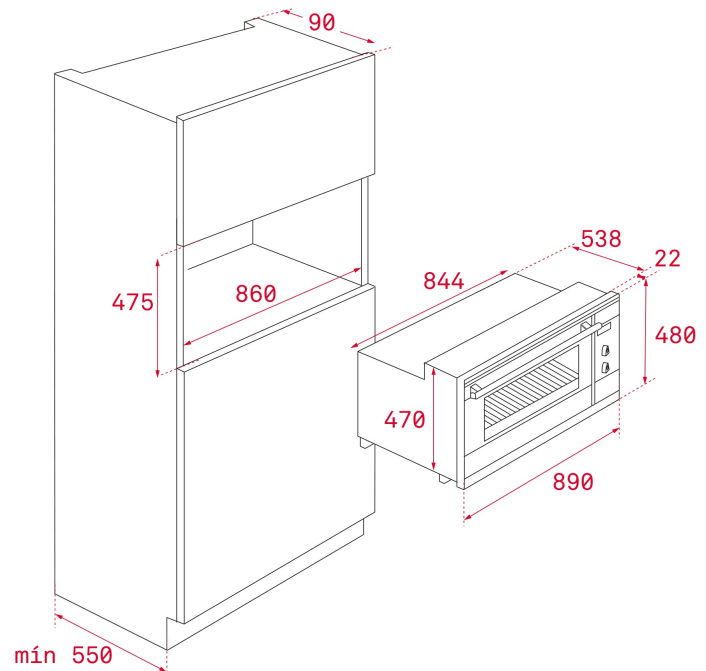


TEKA

HLF 940

FEATURES

Multifunction SurroundTemp oven
9 cooking functions
Automatic HydroClean system
Touch control display with knobs
Electronic timer (Delay/Start function)
Chrome supports with 5 cooking levels
Full Extension Telescopic guides
Removable triple glazed door
Automatic disconnection security system
Children safety lock
Anti-tip deep tray, baking tray and reinforced grid
Capacity (gross/net): 91 / 77 litres



DIMENSIONS

Product height (mm): 480

Product width (mm): 890

Product depth (mm): 538+22

Product length (mm):

Net weight (Kg): 51

TECH SPECS

PARTICULAR CHARACTERISTICS

Certificates: N / CE / CCA / CB / GMARK

Number of cavities: 1

Type of inner light: Halogen

Inside light position: SIDE

Enamelled cavity: Yes

Function selector: 10+0

Number of cooking functions: 9

Top + Bottom function: Yes

Grill + Bottom function: Yes

Grill function: Yes

MaxiGrill function: Yes

Top + Bottom + Fan function: Yes

Bottom function: Yes

Bottom + TURBO (Pizza) function: Yes

Turbo function: Yes

Touch Control Programmer: Yes

Knobs type: MMX FIX KNOB knurling

Removable chromed tray guides: Yes

Number of guide levels: 5

Full extension telescopic guides: Yes

Drop-down grill: Yes

Forced refrigeration tangential 1 speed: Yes

ELECTRIC CONNECTION

Maximum Nominal Power (W): 3553
Frequency (Hz): 50/60
Power rate (V): 220-240
Cable Connection Length (cm): 110
Inside light Consumption (W): 25

ENERGY CONSUMPTION

Energy consumption per cycle in conventional mode (kWh): 1.1
Energy consumption per cycle in fan-forced convection mode (kWh): 0,86
Bottom Heating Element (W): 1055
Grill (W): 1700
Maxi Grill (W): 2750
Traditional (W): 2105
Turbo (W): 2400
Multifunction Turbo (W): 30
Cooling Fan Motor (W): 18

SECURITY SYSTEM

Automatic disconnection when opening the door: Yes
Panel blocking system: Yes
Children safety block option: Yes
Grill protection: Yes
Anti-tip tray system: Yes
Safety Thermostat: Yes

CLEANING SYSTEM

Crystal Clean Enamel (Slippery): Yes
Hydroclean PRO: Yes

ACCESSORIES

Baking Tray: 1
Deep Tray (50 mm): 1
Reinforced grid: 1

ENERGY EFFICIENCY

Energy Efficiency Class: A
Energy Efficiency Index (EEI): 98,9

PRODUCT INFORMATION SHEET - DELEGATED REGULATION (EU) 65/2014

Supplier name or trademark: TEKA
Model identifier: HLF 940 BK-SS
Number of cavities: 1

Cavity 1

Energy Efficiency Index: 98,9
Energy Efficiency Class: A
Energy consumption per cycle (conventional mode): 1.1
Energy consumption per cycle (fan-forced convection mode):
0,86
Volume: 77



HLF 940

ENERGY LABEL

ENERG
енергия · ενέργεια

TEKA HLF 940

A+++
A++
A+
A
B
C
D

77 L

1.10 kWh/cycle*
0.86 kWh/cycle*

* классы - classes - klasser - klasser - klasser - klasser - klasser - klasser - klasser - klasser
классы - classes - klasser - klasser - klasser - klasser - klasser - klasser - klasser - klasser

65/2014