



DoubleCook HLD 45.15 DoubleCook Multifunction Oven with two cavities



18L



38L



HydroClean

DESCRIPTION

DoubleCook Multifunction Oven with two cavities

LIFE STYLE

Maestro

COLOURS



REFERENCE

REF. 41595025
EAN. 8421152155189



TEKA

DoubleCook HLD 45.15

FEATURES

Multifunction Surroundtemp

Energy class: A

Touch Control digital display

Upper cavity :

Capacity: 48/38 litres (net/gross)

5 cooking functions

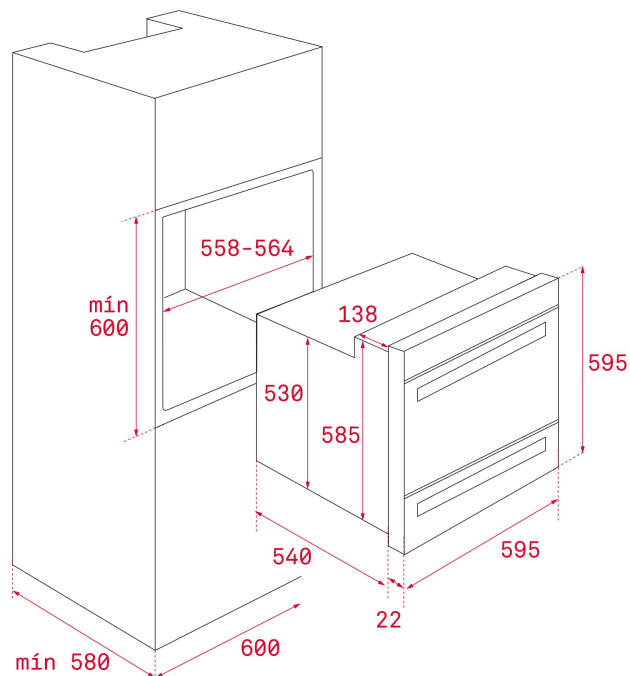
Grill

Lower cavity:

Capacity: 31/18 litres (net/gross)

4 cooking Functions

2 Grilles (upper/lower)



DIMENSIONS

Product height (mm): 595

Product width (mm): 595

Product depth (mm): 540+22

Product length (mm):

Net weight (Kg): 41

TECH SPECS

PARTICULAR CHARACTERISTICS

Certificates: CE / CCA/ CB

Number of cavities: 2

Type of inner light: Halogen

Inside light position: REAR/SIDE

Inside light position (lower cavity): REAR/SIDE

Inside light consumption (W) (lower cavity): 25

Enamelled cavity: Yes

Function selector: 5+0

Function selector (lower cavity): 5+0

Number of cooking functions: 5

Grill function: Yes

Bottom function: Yes

Number of cooking functions (lower cavity): 4

Touch Control Programmer: Yes

Knobs type: MMX FIX KNOB knurling

Removable chromed tray guides: Yes

Number of guide levels: 4

Drop-down grill: Yes

Number of guide levels (lower cavity): 1

Drop-down grill (lower cavity): Yes

Forced refrigeration tangential 1 speed: Yes

ELECTRIC CONNECTION

Maximum Nominal Power (W): 6148
Frequency (Hz): 50/60
Power rate (V): 220-240
Cable Connection Length (cm): 200
Inside light Consumption (W): 25

ENERGY CONSUMPTION

Energy consumption per cycle in conventional mode (kWh): 0.7
Energy consumption per cycle in fan-forced convection mode (kWh): 0,68
Bottom Heating Element (W): 1800
Bottom Heating Element (W) (lower cavity): 1050
Grill (W): 1800
Grill (Lower Cavity) (W): 1400
Traditional (W): 2450
Traditional (W) (lower cavity): 2450
Multifunction Turbo (W): 30
Cooling Fan Motor (W): 18

SECURITY SYSTEM

Panel blocking system: Yes
Children safety block option: Yes
Grill protection: Yes
Anti-tip tray system: Yes
Safety Thermostat: Yes
Automatic disconnection when opening the door (lower cavity): Yes
Grill protection (lower cavity): Yes
Anti-tip tray system (lower cavity): Yes
Safety Thermostat (lower cavity): Yes
Full glass inner door (lower cavity): Yes
Full glazed doors (lower cavity): 2

CLEANING SYSTEM

Crystal Clean Enamel (Slippery): Yes
Hydroclean ECO: Yes

ACCESSORIES

Baking Tray: 1
Deep Tray (50 mm): 1
Reinforced grid: 1
Reinforced grid (lower cavity): 1

ENERGY EFFICIENCY

Energy Efficiency Class: A/-
Energy Efficiency Index (EEI): 95,8 / -

PRODUCT INFORMATION SHEET - DELEGATED REGULATION (EU) 65/2014

Supplier name or trademark: TEKA
Model identifier: HLD 45,15
Number of cavities: 2

Cavity 1

Energy Efficiency Index: 95,8 / -
Energy Efficiency Class: A/-
Energy consumption per cycle (conventional mode): 0.7
Energy consumption per cycle (fan-forced convection mode): 0,68
Heat source : Electric
Volume: 48

Cavity 2

Energy Efficiency Index:

Energy Efficiency Class:

Energy consumption per cycle (conventional mode): 0.7

Energy consumption per cycle (fan-forced convection mode):

0,68

Heat source : Electric

Volume: 31



DoubleCook HLD 45.15

ENERGY LABEL

ENERG Y UA
енергия - енергетика IE IA

TEKA HLD 45.15

A+++
A++
A+
A
B
C
D

38L

0.70 kWh/cycle*
0.68 kWh/cycle*

* цикъл - cyclus - portion - zklus - porcja - ciclo - tsükkel - ohjelma - ciklus
ciklus - ciklu - ciklu - cyclus - cykli - ciklu - program - cycle

65/2014