



# HLB 840 P A+ Pyrolytic Oven with SoftClose system



70L



DualClean



Plus Extension  
Telescopic  
Guide



HydroClean



Pyrolysis



SoftClose



SurroundTemp

**DESCRIPTION**

A+ Pyrolytic Oven with SoftClose system

**LIFE STYLE**

Maestro

**COLOURS**

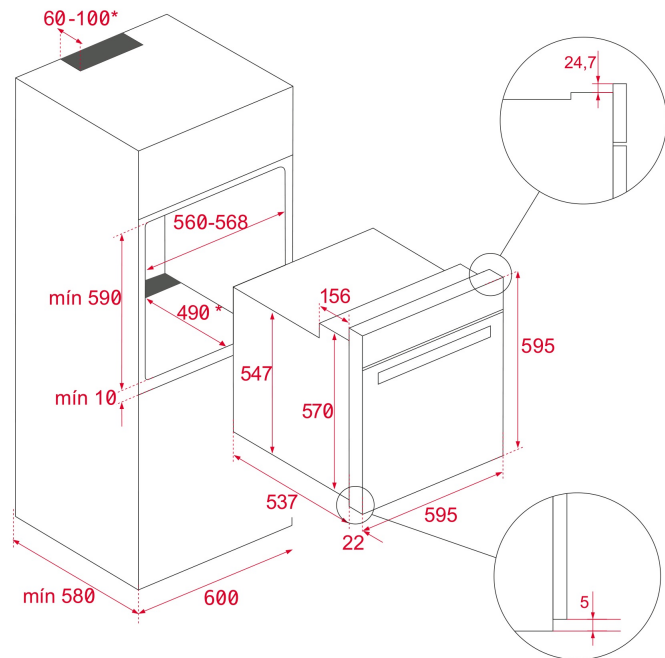


**REFERENCE**

REF. 41566015  
EAN. 8421152157848

**FEATURES**

Multifunction SurroundTemp  
8 Cooking functions  
Pyrolysis self-cleaning system & automatic HydroClean system  
Touch control display  
Digital Timer  
Chrome supports with 5 cooking levels  
1 Plus Extension telescopic guide  
Quadruple glazed door  
SoftClose system  
Automatic disconnection security system  
Children safety lock  
Mechanical quick preheating  
Anti-tip deep tray and reinforced grid  
Tangential ventilation Plus with 2 speeds  
Gross/net capacity: 71/70 litres



## DIMENSIONS

**Product height (mm):** 595

**Product width (mm):** 595

**Product depth (mm):** 537+22

**Product length (mm):**

**Net weight (Kg):** 34

## TECH SPECS

### PARTICULAR CHARACTERISTICS

**Certificates:** N / CE / CCA / CB/JAS-ANZ

**Number of cavities:** 1

**Type of inner light:** Halogen

**Inside light position:** RIGHT TOP CORNER

**Enamelled cavity:** Yes

**Function selector:** 11+0

**Number of cooking functions:** 8

**Grill function:** Yes

**MaxiGrill function:** Yes

**Bottom function:** Yes

**Turbo function:** Yes

**ECO function:** Yes

**Mechanical quick heating:** Yes

**Touch Control Programmer:** Yes

**Knobs type:** MMX FIX knurling printed

**Removable chromed tray guides:** Yes

**Number of guide levels:** 5

**Easy slide telescopic guides:** Yes

**SoftClose:** Yes

**Maximum Nominal Power (W):** 3552

**Frequency (Hz):** 50/60

**Power rate (V):** 220-240

**Cable Connection Length (cm):** 110

**Inside light Consumption (W):** 25

## ENERGY CONSUMPTION

**Energy consumption per cycle in conventional mode (kWh):**  
0.88

**Energy consumption per cycle in fan-forced convection mode (kWh):** 0,68

**Bottom Heating Element (W):** 1050

**Grill (W):** 1400

**Maxi Grill (W):** 2450

**Traditional (W):** 2450

**Turbo (W):** 2000

**Multifunction Turbo (W):** 25

**Cooling Fan Motor (W):** 30

## SECURITY SYSTEM

**Automatic disconnection when opening the door:** Yes

**Panel blocking system:** Yes

**Children safety block option:** Yes

**Grill protection:** Yes

**Anti-tip tray system:** Yes

**Safety Thermostat:** Yes

## CLEANING SYSTEM

**Crystal Clean Enamel (Slippery):** Yes

**Hydroclean PRO:** Yes

**Pyrolytic:** Yes

**DualClean:** Yes

## ACCESSORIES

**Deep Tray (50 mm):** 1

**Reinforced grid:** 1

## ENERGY EFFICIENCY

**Energy Efficiency Class:** A+

**Energy Efficiency Index (EEI):** 81

## PRODUCT INFORMATION SHEET - DELEGATED REGULATION (EU) 65/2014

**Supplier name or trademark:** TEKA

**Model identifier:** HLB 840 P

**Number of cavities:** 1

### Cavity 1

**Energy Efficiency Index:** 81

**Energy Efficiency Class:** A+

**Energy consumption per cycle (conventional mode):** 0.88

**Energy consumption per cycle (fan-forced convection mode):**  
0,68

**Heat source :** Electric

**Volume:** 71



**HLB 840 P**

**ENERGY LABEL**

The energy label for the TEKA HLB 840 P dishwasher features the following information:

- Header:** EU flag, "ENERG" logo, and energy efficiency classes Y, A+, A, and B.
- Brand and Model:** TEKA logo and "HLB 840 P".
- Energy Scale:** A vertical scale from A+++ (dark green) to D (red). The A+ class is highlighted with a black arrow.
- Capacity:** 70 L, shown with a dishwasher icon.
- Energy Consumption:** 0.88 kWh/cycle\* (top icon) and 0.68 kWh/cycle\* (bottom icon).
- Footnote:** \* цыкла - цыклаў - порціён - зыклас - лэбываўся - цыкл - бүккел - об'една - цыклаў - цыкла - цыкл - цыклас - цыкл - цык - програм - цыкл.
- Reference:** 65/2014.