



**RLF 74920 SS EU** Full No Frost Side by Side Refrigerator 179cm with 2 doors and Eco function



Motor Inverter



On Holidays function



Fresh Box



LED



LongLife No Frost

**DESCRIPTION**

Full No Frost Side by Side Refrigerator 179cm with 2 doors and Eco function

**LIFE STYLE**

Maestro

**COLOURS**



**REFERENCE**

REF. 113430011  
EAN. 8434778003901

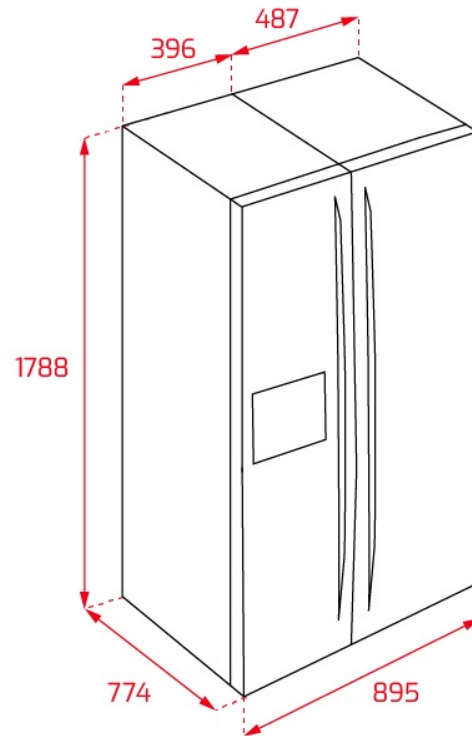


**TEKA**

**RLF 74920 SS EU**

**FEATURES**

Free Standing side by side refrigerator  
Full No Frost  
Outer control display  
Electronic adjustable thermostat  
2 FreshBox drawers  
Safety glass shelves  
Automatic ice maker and Automatic water dispenser  
On holidays function  
Fast freezing and fast cooling function  
Front adjustable feet  
Glass shelves in freezer  
LED illumination  
Climate class: T  
Total capacity (gross/net): 573 / 490 litres  
2 Ice cube trays and twister ice maker included



## DIMENSIONS

**Product height (mm):** 1788  
**Product width (mm):** 895  
**Product depth (mm):** 774  
**Product length (mm):**  
**Net weight (Kg):** 108

## TECH SPECS

### FITTING MEASURES

**Built-in height (mm):** 1765

### PRODUCT SHEET

**Cooling system:** LongLife No Frost  
**No Frost In Refrigerator Compartment:** Yes  
**No Frost in chiller:** Yes  
**No Frost in freezer compartment:** Yes  
**Total gross capacity (litres):** 573  
**Refrigerator compartment capacity (litres):** 334  
**Freezer compartment capacity (litres):** 156  
**Freezer classification:** 4  
**Freezing capacity:** 14  
**Annual Consumption (kWh/year):** 317  
**Temperature Rise Time (h):** 7  
**Climate class:** T  
**Noise level (dB):** 41  
**Certificates:** CE, TUV, GS

### POWER SUPPLY

**Frequency (Hz):** 50  
**Power rate (V):** 220-240

## PARTICULAR CHARACTERISTICS

**Power rate (W):** 188  
**Defrost element power (W):** 240  
**Energy consumption (kw/day):** 0,882  
**Cable Connection Length (cm):** 1750

**Type of installation:** Free standing  
**Automatic defrosting in the refrigeration compartment:** Yes  
**Automatic defrosting in the freezer compartment:** Yes  
**Electronic adjustable thermostat:** Yes  
**Display on door:** Yes  
**Fingerprint proof door:** Yes  
**Antibacterial treatment:** NO  
**Freezing set button:** Yes  
**Cooling set button:** Yes  
**Lock function:** Yes  
**Fast freezing:** Yes  
**Fast Cooling Function:** Yes  
**On Holidays Function:** Yes  
**Inner light:** Yes  
**Type of inner light:** LED  
**External handle:** Yes

## CONTROL INDICATOR LIGHTS

**Operating light fridge:** Yes  
**Operating light freezer:** Yes  
**Freezer compartment temperature display:** Yes  
**Fast freezing indicator:** Yes  
**Acoustic alarm:** Yes

## EQUIPMENT

**Multipurpose compartment:** NO  
**Automatic water dispenser:** Yes  
**Automatic ice maker:** Yes  
**Ice off:** Yes  
**Ice cubes tray:** 2  
**Bottle rack type:** NO  
**Adjustable Feet Back:** Yes  
**Adjustable feet front:** Yes  
**Refrigerator adjustable shelves:** Yes  
**Vegetable drawers:** 2  
**Temperature and humidity regulation in drawers:** FRESH BOX

## PRODUCT INFORMATION SHEET (UE) 2019/2016

**Supplier name or trademark:** TEKA  
**Supplier's address:** C/Cajo, 17, 39011, Santander , Spain  
**Model identifier:** RLF 74920 SS EU

### Type of refrigerating appliance

**Low-noise appliance:** 0  
**Design type:** Free standing  
**Wine storage appliance:** 0  
**Other refrigerating appliance:** 1

### Overall dimensions (mm)

**Height:** 1765  
**Width:** 897  
**Depth:** 761  
**Total volume (dm<sup>3</sup> or l):** 516  
**Energy efficiency class:** E  
**Airborne acoustical noise emission class:** C  
**Annual energy consumption (kWh/a):** 317  
**Climate class:** T  
**Minimum ambient temperature (°C), for which the**

refrigerating appliance is suitable: 10  
Maximum ambient temperature (°C), for which the  
refrigerating appliance is suitable: 43  
Winter setting YES/NO: 0  
Compartment 1: FRESH FOOD  
Compartment 1 - Compartment Volume (l): 334  
Compartment 1 - Recommended temperature setting for  
optimised food storage (°C):  $\geq 0$  ,  $\leq +4$   
Compartment 1 - Freezing capacity (kg/24h): NA  
Compartment 1 - Defrosting type: A  
Compartment 1 - Target temperature (°C): NA  
Compartment 1 - Thermodynamic parameter (rc): NA  
Compartment 1 - Nc: NA  
Compartment 1 - Mc: NA  
Compartment 1 - Defrost factor (Ac): NA  
Compartment 1 - Built-in factor (Bc): NA  
Compartment 2: 4 STARS  
Compartment 2 - Compartment Volume (l): 154  
Compartment 2 - Recommended temperature setting for  
optimised food storage (°C):  $\leq -18$   
Compartment 2 - Freezing capacity (kg/24h): 14  
Compartment 2 - Defrosting type: A  
Compartment 2 - Target temperature (°C): NA  
Compartment 2 - Thermodynamic parameter (rc): NA  
Compartment 2 - Nc: NA  
Compartment 2 - Mc: NA  
Compartment 2 - Defrost factor (Ac): NA  
Compartment 2 - Built-in factor (Bc): NA  
Compartment 3: 2 STARS  
Compartment 3 - Compartment Volume (l): 25  
Compartment 3 - Recommended temperature setting for  
optimised food storage (°C): NA  
Compartment 3 - Freezing capacity (kg/24h): NA  
Compartment 3 - Defrosting type: A  
Compartment 3 - Target temperature (°C): NA  
Compartment 3 - Thermodynamic parameter (rc): NA  
Compartment 3 - Nc: NA  
Compartment 3 - Mc: NA  
Compartment 3 - Defrost factor (Ac): NA  
Compartment 3 - Built-in factor (Bc): NA  
Compartment 4: 1 STAR  
Compartment 4 - Compartment Volume (l): 3  
Compartment 4 - Recommended temperature setting for  
optimised food storage (°C): NA  
Compartment 4 - Freezing capacity (kg/24h): NA  
Compartment 4 - Defrosting type: A  
Compartment 4 - Target temperature (°C): NA  
Compartment 4 - Thermodynamic parameter (rc): NA  
Compartment 4 - Nc: NA  
Compartment 4 - Mc: NA  
Compartment 4 - Defrost factor (Ac): NA  
Compartment 4 - Built-in factor (Bc): NA  
Compartment 5 - Type: NA  
Compartment 5 - Compartment Volume (l): NA  
Compartment 5 - Recommended temperature setting for  
optimised food storage (°C): NA  
Compartment 5 - Freezing capacity (kg/24h): NA  
Compartment 5 - Defrosting type: NA  
Compartment 5 - Target temperature (°C): NA  
Compartment 5 - Thermodynamic parameter (rc): NA  
Compartment 5 - Nc: NA  
Compartment 5 - Mc: NA  
Compartment 5 - Defrost factor (Ac): NA  
Compartment 5 - Built-in factor (Bc): NA

Light source parameters

Light source - Type of light source: LED

**Light source - Energy efficiency class: G**  
**Minimum duration of the guarantee offered by the manufacturer (b): 24**

**Light source parameters**

**Light source - Type of light source: LED**  
**Light source - Energy efficiency class: G**  
**Minimum duration of the guarantee offered by the manufacturer (Years) (b): 24**

**Additional information:**

Weblink to the manufacturer's website, where the information in point 4(a) Annex of Commission Regulation (EU) 2019/2019 (1) (b) is found: [www.teka.com](http://www.teka.com)

(a) as determined in accordance with Commission Delegated Regulation (EU) 2019/2015 (2).

(b) changes to these items shall not be considered relevant for the purposes of point 4 of Article 4 of Regulation (EU) 2017/1369.

(c) if the product database automatically generates the definitive content of this cell the supplier shall not enter these data.

(1) Commission Regulation (EU) 2019/2019 of 1 October 2019 laying down ecodesign requirements for refrigerating appliances pursuant to Directive 2009/125/EC of the European Parliament and of the Council and repealing Commission Regulation (EC) No 643/2009 (see page 187 of this Official Journal).(2)

(2) Commission Delegated Regulation (EU) 2019/2015 of 11 March 2019 supplementing Regulation (EU) 2017/1369 of the European Parliament and of the Council with regard to energy labelling of light sources and repealing Commission Delegated Regulation (EU) No 874/2012 (see page 68 of this Official Journal).



RLF 74920 SS EU

ENERGY LABEL

The energy label features the EU flag and 'ENERGY' with a lightning bolt icon, a QR code, and the model name 'RLF 74920 EU'. It includes a scale from A to G, with 'E' highlighted. The energy consumption is 317 kWh/annum. It also shows a snowflake icon for 182 L, a bottle icon for 334 L, and a speaker icon for 41 dB with a scale from A to D. A small vertical number '9102016' is on the right.

TEKA RLF 74920 EU

A  
B  
C  
D  
E  
F  
G

**317** kWh/annum

182 L 334 L

41 dB  
A B C D

9102016