



HLC 8400 Urban Colors Edition SurroundTemp Compact Multifunction Oven in 45cm with HydroClean® PRO



44L



Plus Extension
Telescopic
Guide



HydroClean



SurroundTemp

DESCRIPTION

Urban Colors Edition SurroundTemp Compact Multifunction Oven in 45cm with HydroClean® PRO

LIFE STYLE

Maestro

COLOURS



REFERENCE

REF. 111130006
EAN. 8434778008456

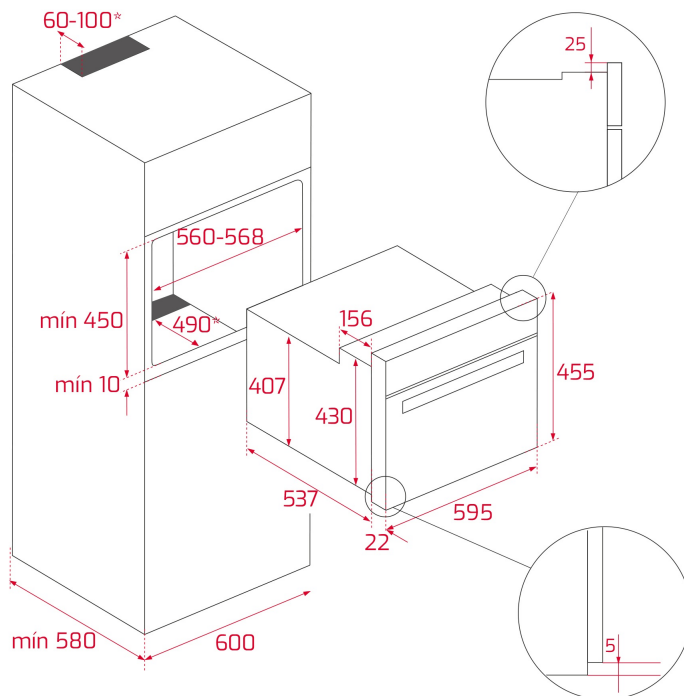


TEKA

HLC 8400

FEATURES

Urban Colors Edition
Multifunction SurroundTemp oven
9 cooking functions
Automatic HydroClean system
Touch control display with knobs
Electronic timer (Delay/Start function)
Chrome supports with 3 cooking levels
Plus Extension Telescopic guides
Removable triple glazed door
Manual quick preheating
Anti-tip deep tray and reinforced grid
Capacity (gross/net): 45 / 44 litres



DIMENSIONS

Product height (mm): 455

Product width (mm): 595

Product depth (mm): 537+22

Product length (mm):

Net weight (Kg): 25

TECH SPECS

PARTICULAR CHARACTERISTICS

Certificates: N / CE / CCA / CB / JAS-ANZ/GMARK/SASO

Number of cavities: 1

Type of inner light: Halogen

Inside light position: RIGHT TOP CORNER

Enamelled cavity: Yes

Function selector: 11+0

Number of cooking functions: 9

Top + Bottom function: Yes

Top function: Yes

Grill function: Yes

MaxiGrill function: Yes

MaxiGrill + Fan function: Yes

Bottom function: Yes

Bottom + TURBO (Pizza) function: Yes

Turbo function: Yes

ECO function: Yes

Mechanical quick heating: Yes

Touch Control Programmer: Yes

Knobs type: MMX FIX KNOB knurling

Removable chromed tray guides: Yes

Number of guide levels: 3

Easy slide telescopic guides: Yes

ELECTRIC CONNECTION

ENERGY CONSUMPTION

SECURITY SYSTEM

CLEANING SYSTEM

ACCESSORIES

ENERGY EFFICIENCY

**PRODUCT INFORMATION
SHEET - DELEGATED
REGULATION (EU) 65/2014**

Drop-down grill: Yes

Maximum Nominal Power (W): 3015
Frequency (Hz): 50/60
Power rate (V): 220-240
Cable Connection Length (cm): 110
Inside light Consumption (W): 25

Energy consumption per cycle in conventional mode (kWh):
0.72
Energy consumption per cycle in fan-forced convection mode (kWh): 0,59
Bottom Heating Element (W): 1150
Grill (W): 1400
Maxi Grill (W): 2500
Traditional (W): 2550
Turbo (W): 1800
Multifunction Turbo (W): 22
Cooling Fan Motor (W): 18

Panel blocking system: Yes
Grill protection: Yes
Anti-tip tray system: Yes
Safety Thermostat: Yes

Crystal Clean Enamel (Slippery): Yes
Hydroclean PRO: Yes

Deep Tray (50 mm): 1
Reinforced grid: 1

Energy Efficiency Class: A+
Energy Efficiency Index (EEI): 80,8

Supplier name or trademark: TEKA
Model identifier: HLC 8400 LB
Number of cavities: 1

Cavity 1

Energy Efficiency Index: 80,8
Energy Efficiency Class: A+
Energy consumption per cycle (conventional mode): 0.72
Energy consumption per cycle (fan-forced convection mode):
0,59
Volume: 44

