



HSB 610 60cm Multifunction Oven with HydroClean system



70L



Plus Extension
Telescopic
Guide



HydroClean

DESCRIPTION

60cm Multifunction Oven with HydroClean system

LIFE STYLE

Total

COLOURS



REFERENCE

REF. 41560110
EAN. 8421152148624

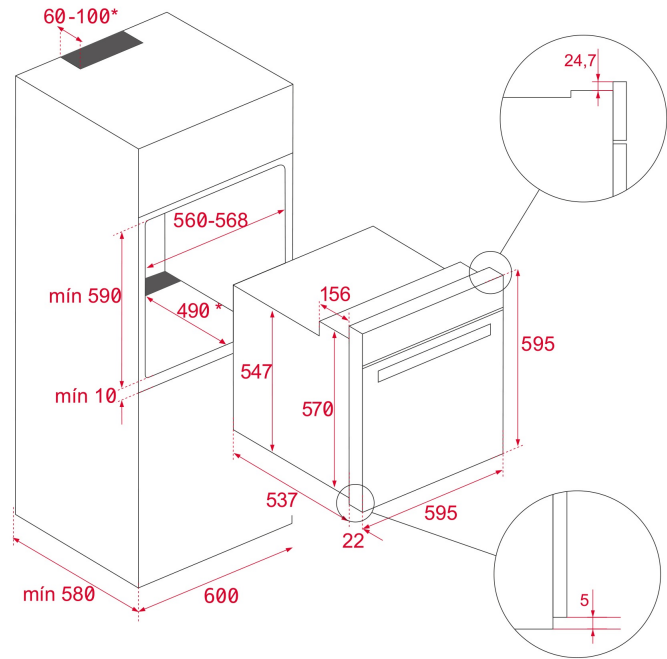


TEKA

HSB 610

FEATURES

Multifunction oven
6 cooking functions
HydroClean system
Mechanical control knobs
Mechanical timer (Stop function)
Chrome supports with 5 cooking levels
Plus Extension Telescopic guides
Removable double glazed door
Manual quick preheating
Anti-tip deep tray
Capacity (gross/net): 71 / 70 litres



DIMENSIONS

Product height (mm): 595

Product width (mm): 595

Product depth (mm): 537+22

Product length (mm):

Net weight (Kg): 27

TECH SPECS

PARTICULAR CHARACTERISTICS

Certificates: N / CE / CCA / CB

Number of cavities: 1

Type of inner light: Halogen

Inside light position: RIGHT TOP CORNER

Enamelled cavity: Yes

Function selector: 7+0

Number of cooking functions: 6

Grill + Bottom function: Yes

Grill function: Yes

Grill + Bottom + Fan function: Yes

Bottom function: Yes

ECO function: Yes

Mechanical quick heating: Yes

Minute Minder: Yes

Knobs type: MMX FIX knurling

Removable chromed tray guides: Yes

Number of guide levels: 5

Easy slide telescopic guides: Yes

ELECTRIC CONNECTION

Maximum Nominal Power (W): 2615

Frequency (Hz): 50/60
Power rate (V): 220-240
Cable Connection Length (cm): 110
Inside light Consumption (W): 25

ENERGY CONSUMPTION

Energy consumption per cycle in conventional mode (kWh):
0.82
Energy consumption per cycle in fan-forced convection mode (kWh): 0,71
Bottom Heating Element (W): 1150
Grill (W): 1400
Traditional (W): 2550
Multifunction Turbo (W): 22
Cooling Fan Motor (W): 18

SECURITY SYSTEM

Grill protection: Yes
Anti-tip tray system: Yes
Safety Thermostat: Yes

CLEANING SYSTEM

Crystal Clean Enamel (Slippery): Yes
Hydroclean ECO: Yes

ACCESSORIES

Deep Tray (50 mm): 1
Standard grid: 1

ENERGY EFFICIENCY

Energy Efficiency Class: A
Energy Efficiency Index (EEI): 84,7

PRODUCT INFORMATION SHEET - DELEGATED REGULATION (EU) 65/2014

Supplier name or trademark: TEKA
Model identifier: HSB 610 BK
Number of cavities: 1

Cavity 1

Energy Efficiency Index: 84,7
Energy Efficiency Class: A
Energy consumption per cycle (conventional mode): 0.82
Energy consumption per cycle (fan-forced convection mode):
0,71
Volume: 70



HSB 610

ENERGY LABEL

The image shows a standard European Energy Label for a TEKA HSB 610 dishwasher. At the top, it features the EU flag, the word 'ENERG' in large letters, and the word 'енергия' in Cyrillic. Below this, the TEKA logo and the model number 'HSB 610' are displayed. A central graphic shows a vertical scale of energy efficiency classes from A+++ (top, green) to D (bottom, red). A black arrow points to the 'A' class. To the left of the scale is a small icon of a dishwasher. Below the scale, two boxes provide specific energy consumption data: '70 L' (volume) and '0.82 kWh/cycle*' (energy consumption for a standard cycle). A second box shows '0.71 kWh/cycle*' (energy consumption for an eco cycle). At the bottom, there is a small line of text in Cyrillic and the date '65/2014'.