



# MB 620 BI 20L Built-in Mechanical Microwave



Defrost By  
Time

---

## DESCRIPTION

20L Built-in Mechanical Microwave

## LIFE STYLE

Easy

## COLOURS



## REFERENCE

REF. 40584000  
EAN. 8421152145593

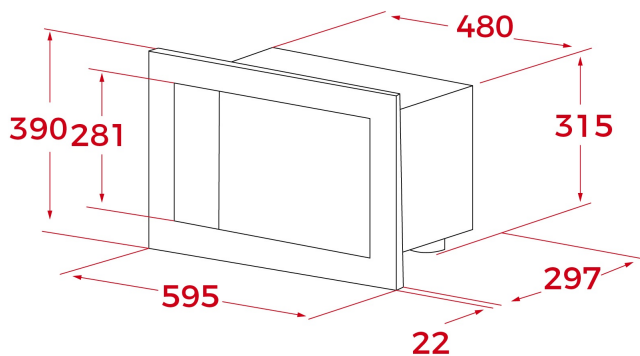


**TEKA**

**MB 620 BI**

**FEATURES**

Built-in Microwave  
1 cooking function  
5 power levels, 1200 W  
Defrost by time  
Mechanical control knobs  
Double glazed door with left opening  
Automatic disconnection when open door  
Stainless steel (fingerprint proof)  
Capacity (gross/net): 18 / 20 litres  
Stainless steel cavity



## DIMENSIONS

**Product height (mm):** 390

**Product width (mm):** 595

**Product depth (mm):** 325

**Product length (mm):**

**Net weight (Kg):** 18,6

## TECH SPECS

### PARTICULAR CHARACTERISTICS

**Certificates:** CE/CB

**Number of cooking functions:** 1

**Number of guide levels (lower cavity):** 0

**Microwave function:** Yes

**Number of power levels:** 5

### ELECTRIC CONNECTION

**Maximum Nominal Power (W):** 1200

**Frequency (Hz):** 50

**Power rate (V):** 220 - 240

**Cable Connection Length (cm):** 110

**Plug:** Yes

### SECURITY SYSTEM

**Automatic disconnection when opening the door:** Yes

**Safety Thermostat:** Yes

### CLEANING SYSTEM

**Fingerprint proof stainless steel:** Yes

