



ML 820 BI 20L Built-in Mechanical Microwave



Defrost By
Time

DESCRIPTION

20L Built-in Mechanical Microwave

LIFE STYLE

Maestro

COLOURS



REFERENCE

REF. 40584201
EAN. 8421152145562



TEKA

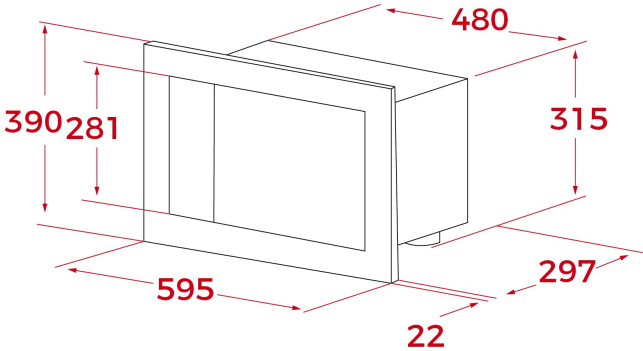
ML 820 BI

FEATURES

Built-in Microwave
1 cooking function
5 power levels, 1200 W
Defrost by time
Mechanical control knobs
Double glazed door with right opening
Automatic disconnection when open door
Capacity (gross/net): 18 / 20 litres
Stainless steel cavity



ML 820 BI



DIMENSIONS

- Product height (mm):** 390
- Product width (mm):** 595
- Product depth (mm):** 325
- Product length (mm):**
- Net weight (Kg):** 18,6

TECH SPECS

PARTICULAR CHARACTERISITICS

- Certificates:** CE/CB
- Number of cavities:** 1
- Number of cooking functions:** 1
- Number of guide levels (lower cavity):** 0
- Microwave function:** Yes
- Number of power levels:** 5

ELECTRIC CONNECTION

- Maximum Nominal Power (W):** 1200
- Frequency (Hz):** 50
- Power rate (V):** 220 - 240
- Cable Connection Length (cm):** 110
- Plug:** Yes

SECURITY SYSTEM

- Automatic disconnection when opening the door:** Yes
- Safety Thermostat:** Yes

ACCESSORIES

- Glass Tray:** 0

ENERGY EFFICIENCY

Energy Efficiency Index (EEI): A

