

I WISH

A HOUSE FULL
OF PEOPLE

by
TEKA DISHWASHES





DISHWASHERS

WISHES COME TRUE

*Teka dishwashers WISH is not only to leave your tableware pristine clean.
They also save water and reduce energy consumption.*



RANGE OVERVIEW



_Maestro



_Total

TEKA DISHWASHERS

Wash everything gently guaranteeing brilliant results

TAKING REAL CARE OF THE ENVIRONMENT IS POSSIBLE
DUE TO THE LOW ENERGY AND WATER CONSUMPTION
OF TEKA DISHWASHERS.



SAVE MONEY ON YOUR ENERGY BILL!

Their advanced technology will not only get the best cleaning results but will also reduce energy consumption, the CO₂ emissions and will take care of the household economy as well.



AQUA-LOGIC

Do you know that you can save water with Aqua-logic? Due to an infrared sensor, Teka dishwashers automatically control the input of water depending on the load's dirtiness level by adjusting all washing parameters.



AUTO PROGRAM

Don't worry about choosing the right programme any longer! The Auto Program selects the right temperature, wash cycles and the amount of water required in order to use the best program, with perfect results and the lowest energy and water consumption.

SOLUTIONS FOR EVERY NEED

What do you prefer? Freestanding or built-in? 60, 45 cm or compact? A red or a white display? A large display or Leds? Teka is your real option.

CONSISTENCY IN YOUR KITCHEN

Teka offers you maximum uniformity in your appliances. WISH ovens, SPA washing machines and dishwashers all feature white Leds in their digital displays.







PUSH UP SYSTEM

Wash plates of up to 30 cm diameter in the bottom basket thanks to the new “Push up” height adjustment system. You can adjust the top basket from both sides to 3 different heights by pulling the basket upwards and supporting it from the side handles, even when loaded.



DUAL HALF LOAD

Down? Up? Wherever! With just a touch of a button you can wash both baskets even if they are not totally full, reducing water consumption by 15%. The Dual Half Load Program offers you 3 washing options depending on your load. It allows you to clean each basket separately or together, having the same water and energy consumption as the traditional Half Load Option.



DIGITAL PROGRAMMING

Take advantage of more economic night rates by delaying the programme up to 24 hours. As a result, the dishwasher will be ready when needed.



AQUASTOP

You will never have overflows at home! The Full Aquastop System detects any leaks inside the appliance and closes the water inlet (outer safety), ensuring 100% safety in the dishwasher.



THIRD SPRAYER

A third sprayer fixed at the top of the dishwasher ensures a more thorough cleansing.



HYGIENE PROGRAM

Clean feeding bottles and crockery with one wash and a rinse at 70°C, guaranteeing perfect disinfection and hygiene.



3-IN-1 SYSTEM

Optimize washing results with minimum power consumption! Due to its 3-in-1 System, the dishwasher recognizes if a tablet is being used and automatically blocks the salt dose and the rinse aid dosing device.

THIRD CUTLERY BASKET

This basket adapts to any kind of load, from a coffee spoon to larger items, achieving the best cleaning results of each cooking utensil safely for your children. Besides, this third basket delivers very useful extra load flexibility adapting to different positions, for example: a full basket used for cutlery or using only half of the third tray leaving more space for oversized items or high glasses in the second basket

WISH DISHWASHERS

Minimum consumption, highly accurate and very easy to use

		_ M A E S T R O	
		60	
		A++	A+
FREESTANDING	14	 LP9 850	
	12		
INTEGRATION	13	 DW8 80 FI	
	12		
	10		

MAESTRO

Domestic appliances for those who like going one step further. For those who will not settle for being like the rest

TOTAL

Designed for those who demand everything of their appliances, for everyone in the house. Maximum effectiveness in any situation.

EASY

For those who prefer no complications in the kitchen without denying themselves an appliance that gives so much while asking for so little in return.

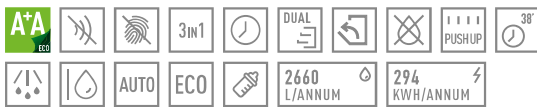
_ TOTAL		_ EASY
60		45
A++	A+	A++
	 <p>LP8 820 WHITE</p>	
 <p>DW8 58 FI</p>		
	 <p>DW 605 S</p>	
		 <p>DW8 40 FI</p>



CODE : 40716240

DW 8 80 FI

— **_MAESTRO**



Fully integrated dishwasher

Electronic control panel
LED display
Fingerprint proof stainless steel door
Place Settings: 13
Washing programs: 10
Washing temperatures: 38°, 45°, 55°, 65°, 70° C
Full Aquastop, Aqualogic
3 in 1 selector
Delay timer 1–24h, Dual half load
Fast program 38 minutes
Auto program, Eco program, Third sprayer
5 positions water softener with electronic adjustment
Automatic adjustable upper basket
Indicator pilots for : Selected program, lack of salt and rinse aid
Back feet adjustment from front
Floating hinges
Energy class: A+ / A
Noise level Db(A): 45
Power supply: 220/230V -50 Hz

COLOR

Inox

EXTERNAL DIMENSIONS

⬆ 820/870 mm ➡ 596 mm ↻ 550 mm



CODE : 40782129

DW 8 58 FI

— **_TOTAL**



Fully integrated dishwasher

Electronic control panel
White LED display
Place Settings: 14
Washing programs: 9
Washing temperatures: 40°, 45°, 50°, 55°, 60°, 65° C
Third basket, Third sprayer
Full Aquastop
3 in 1 selector
Delay timer 1–24h, Half load program
Fast program 30 minutes, Eco program
5 positions water softener
Sliding detergent drawer
Adjustable upper basket
Indicator pilots for: On-off, lack of salt and rinse aid Extra dry
Power wash & express program
Back feet adjustment from front
Energy class: A++ / A
Noise level Db(A): 47
Power supply: 220/240V -50 Hz

COLOR

Inox

EXTERNAL DIMENSIONS

⬆ 815/865 mm ➡ 598 mm ↻ 550 mm



CODE : 40782950

DW 605 S

_TOTAL



Partially integrated dishwasher

Electronic control panel
 Place Settings: 12
 Washing programs: 6
 Washing temperatures: 40°, 50°, 55°, 60°, 65°C
 Full Aquastop
 Delay timer 3-6-9h
 Half load program
 Fast program 40 minutes
 Eco program
 Adjustable upper basket
 Water softener
 Indicator pilots for: Selected program, lack of salt and rinse aid, delay timer
 Back feet adjustment from front
 Energy class: A++/A
 Noise level Db(A): 49
 Power supply: 220/240V -50 Hz

COLOR

Inox

EXTERNAL DIMENSIONS

↑ 815/865 mm → 598 mm ↗ 570 mm



CODE : 40782147

DW 840 FI

_EASY



Fully Integrated Dishwasher

Electronic Control Panel Silver
 Place Settings : 9
 Washing programs : 5
 Washing temperatures : 45°, 55°, 60° y 65°
 Full Aquastop
 Delay timer 3-6-9h
 Half load program
 Fast program 30 minutes
 Eco program
 Indicator pilots for: Selected program, time remaining, lack of salt and rinse aid
 Water softener
 Adjustable upper basket
 Back feet adjustment from front
 Energy class : A++/A
 Noise level Db(A) : 49
 Power supply : 220/240V -50 Hz

COLOR

Silver

EXTERNAL DIMENSIONS

↑ 815/865 mm → 448 mm ↗ 550 mm



CODE : 40782501

LP 9 850

MAESTRO



Freestanding dishwasher

Electronic control panel
LED display
Place Settings: 14
Washing programs: 8
Washing temperatures : 40°, 45°, 50°, 55°, 65°C
Third basket, Third sprayer
AquaStop, Delay timer 1-24h
Dual half load, Fast program 30 minutes
Eco program, Sliding detergent drawer
Automatic adjustable upper basket
Multifunctional third cutlery basket
5 positions water softener
Indicator pilots for: Selected program, lack of salt, rinse aid and program status/duration
Energy class: A+++/A
Noise level Db(A): 44
Power supply: 220/240V -50 Hz

COLOR

Fingerprint proof stainless steel door

EXTERNAL DIMENSIONS

⬆ 845 mm ➡ 598 mm ↻ 610 mm



CODE : 40782365

LP 8 820 WHITE

TOTAL



Freestanding dishwasher

Electronic control panel
White LED display
Place Settings: 12
Washing programs: 6
Washing temperatures : 40°, 50°, 55°, 60°, 65°C
3 in 1
Delay timer 1-24h
Half load program
Adjustable upper basket
Eco program
Sliding detergent drawer
Indicator pilots for: Selected program, lack of salt, rinse aid and program status
Energy class: A++/A
Noise level Db(A): 49
Power supply: 220/240V -50 Hz

COLOR

White

EXTERNAL DIMENSIONS

⬆ 850 mm ➡ 600 mm ↻ 580 mm





DISH WASHERS

TECHNICAL FEATURES

MODELS	DW8 80 FI	DW8 58 FI	DW 605 S	DW8 40 FI	LP9 850	LP8 820
PRODUCT FICHE						
Capacity (place settings)	13	14	12	9	14	12
Energy efficiency (1)	A+	A++	A++	A++	A+++	A++
Energy consumption per year (kWh) (2)	292	266	258	197	237	258
Power consumption (kWh) (3)	1,03	0,93	0,91	0,75	0,83	0,91
Power consumption (Off and Left-On modes)	0,02/0,8	0,45/0,49	0,45/0,49	0,45/0,49	0,45/0,49	0,45/0,49
Water consumption year/litres (4)	2660	3080	3080	2520	2800	3080
Drying efficiency (5)	A	A	A	A	A	A
Standard program	ECO (55°C)	ECO (45°C)	ECO	ECO 45°	ECO (50°C)	ECO(45°C)
Cycle duration (minutes)	165	190	185	190	220	190
Noise dB	45	47	49	49	44	49
Installation	Built-in	Built-in	Built-in	Built-in	Freestanding	Freestanding
OVERALL MEASUREMENTS						
Height (mm)	820/870	815/865	815/865	815-865	845	845
Width (mm)	596	598	598	448	598	598
Depth (mm)	550	550	570	550	610	610
BUILT IN DOOR MEASURES						
Height (mm)	-	655/710	540/595	654 (outer door+panel)	-	-
Width (mm)	-	598	589	439	-	-
Plinth (mm)	-	50	50	50	-	-
POWER SUPPLY						
Power supply (V/Hz)	220-230/50	220-240/50	220-240/50	220-240/50	220-240/50	220-240/50
Power rate (W)	1900	2100	2100	1760-2100	2100	2100
FEATURES						
Electronic Control			*	*	*	
Digital display	*	*	*	*	*	
Number of programs	10	9	6	5	8	6
Number of washing temperatures	5	6	5	4	5	5
Half load	*	*	*	*	*	
Economic program	*	*	*	*	*	
Fast program (minutes)	38	40	40	30	30	-
Delay timer	1-24 h	1-24 h	3-6-9h	3-6-9 h	1-24h	1-24h
3 in 1 selector	*	*	-	-	-	
Agua-logic	*	-	-	-	-	
Hidden heating element	*	*	*	*	*	*
Water softener	*	*	*	*	*	*
Microfilter	*	*	*	*	*	*
SAFETY SYSTEM						
Aquastop	Total	Total	Total	Total	Total	Total
Overflow	*	*	*	*	*	*
Airbreak (entry/filling/draining)	*	*	*	*	*	*
Internal leakage control	*	*	*	*	*	*
CONTROL PILOT LIGHTS						
On Off			*	*	*	*
Salt/rinse aid	* / *	* / *	* / *	* / *	* / *	* / *
Select program	LED	LED	*	*	LED	*
Remaining time	-	-	-	-	*	*
Acoustic/optical sign end of program	* / *	* / *	* / *	* / *	* / *	* / *
EQUIPMENT						
3rd sprayer	*	*	-	-	*	-
Adjustable upper basket	Push-up				Push-up	
3rd basket	-	-	-	-	-	-
Grey colour basket	*	*	*	*	*	*
Special cutlery basket for half load	-	-	-	-	-	-
Adjustable feet front/back	* / *	* / *	* / *	-	* / *	* / *
Back feet adjunct from front	*	*	*	*	-	-
Foldable racks on bottom tray	*	*	*	*	*	*
Floating Hinges	*	-	-	-	-	-
Stainless steel Tub and back door	*	*	*	*	*	*

(1) Energy efficiency class "X" on a scale from D (least efficient) to A+++ (most efficient).

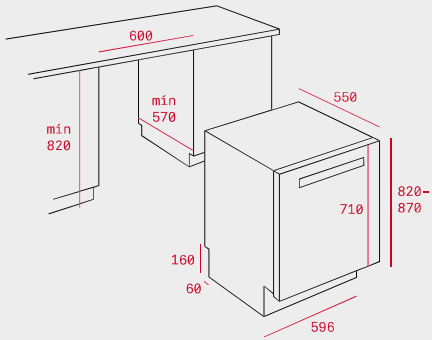
(2) Energy consumption "X" kWh per year, based on 280 standard cleaning cycles using cold water fill and the consumption of the low power modes. Actual energy consumption will depend on how the appliance is used.

(3) the energy consumption (EI) of the standard cleaning cycle.

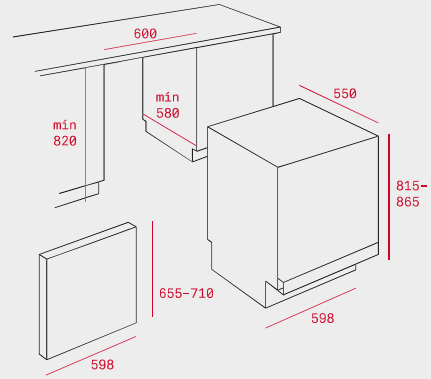
(4) Water consumption "X" litres per year, based on 280 standard cleaning cycles. Actual water consumption will depend on how the appliance is used.

(5) Drying efficiency class "X" on a scale from G (least efficient) to A (most efficient).

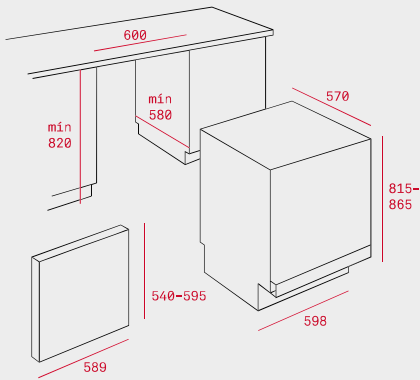
Note: indication that the 'standard programme' is the standard cleaning cycle to which the information in the label and the fiche relates, that this programme is suitable to clean normally soiled tableware, and that it is the most efficient programme in terms of combined energy and water consumption.



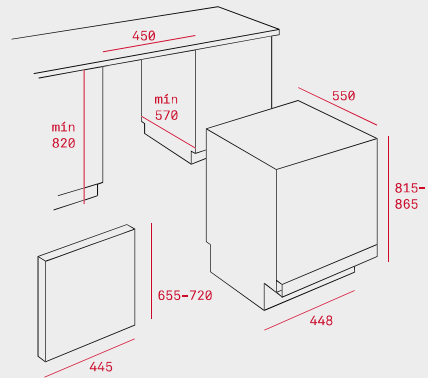
DW8 80 FI



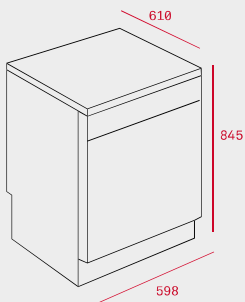
DW8 58 FI



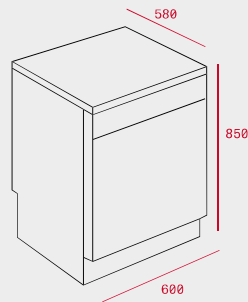
DW 605 S



DW8 40 FI



LP9 850



LP8 820