



I WISH

SHINY FOODS
FOR BRILLIANT RECIPES

by
TEKA TAPS



TAPS

WISHES COME TRUE

The best stainless steel combined with the best design and functionality make the Teka taps the silent star in your kitchen.

Teka, manufacturing taps and mixers since 1924

Teka mixers complies with the highest quality regulations, including the most challenging one: NF (Norme Française)



SPAIN



FRANCE



SINGAPORE



NORWAY



Attestation
conformité sanitaire

FRANCE



THAILAND

Teka produces its own cartridges: +350,000 cycles of durability, with Sinterized ceramic discs producing a smooth sensation

Teka inlet pipes are made in stainless steel with PEX inner tubes, certified top quality material

ALL Teka mixers include top quality German Anti-scale aerators: To reduce water consumption and minimize water splashing

All Teka mixers include high quality inlet pipes of 35cm minimum

Wide range of models: low and high versions with or without pullout shower, including semi professional taps

Stock available

GENERAL FEATURES OUR SINKS TAPS

Anti-limescale pull-out shower



Anti-scale pull-out shower with two jets and kink resistant flexible hose to offer maximum resistance.



High quality stainless steel flexible inlet pipes

High quality (3/8" or 1/2") stainless steel flexible inlet pipes with watertight o-rings. They fulfill the requirements of the most demanding Quality Control Authorities in many European countries.

Quick and easy fitting system (a simple 12 mm box spanner is enough in most cases).



10 Years guarantee

All Teka taps are guaranteed for 10 years against any manufacturing defect.

We are an ISO 9001 accredited company, which confirms the quality of the design, production and marketing processes of our taps.

Duration of the mechanisms

	TEKA	EUROPEAN NORM
HEADPARTS	+ 500.000 cycles	200.000 cycles
CARTRIDGES	+ 350.000 cycles	70.000 cycles
SPOUTS	+ 300.000 cycles	80.000 cycles
DIVERTERS	+ 100.000 cycles	30.000 cycles

GENERAL FEATURES OUR SINKS TAPS

Sintered ceramic discs

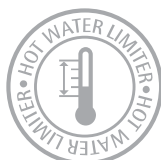


All Teka cartridges use sintered ceramic discs of high resistance. These discs all have porous surfaces which retain the grease longer helping to achieve smoother, gentler movements and therefore prolonging the life of the taps. The operating gear is insulated from water giving therefore continuous lubrication.



New generation of Teka cartridges

- Highly precise temperature control. Highly sensitive and reliable temperature regulation
- Greater handling sensitivity. Gentle cartridge activation (Max. 0.30 Nm)
- Maximum product life reliability. Exceeds 350,000 cycles in standardised endurance trials. Exceeds the top level by 42%
- Complies with the most demanding regulations: EN-817; NF-077; NF-D 18.202; ASME 1 112.18.1
- Noise. In accordance with European regulation EN-817
- Ecological. Temperature and flow caps
- Supports over 50 bars of pressure. The standard pressure in a Spanish home is of 3 bars. Exceeds 200 water hammers of 50 bars, thus doubling the most demanding regulatory requirements.
- Top quality materials. Suppliers holding the following sanitary certifications: ACS; NSF; KTWA; WRAS
- Guaranteed dual quality control. 100% of the cartridges are tested twice, during manufacture and at the end of tap production.
- 5 years guarantee
- Design 100% Teka
- Continuous improvement in the development of the production process, equipped with laboratory devices to perform the tests required by the regulations, including an acoustic test chamber.



Temperature and flow limiter

- Temperature Limiter: save the energy used to heat the water with the temperature limiter incorporated in our cartridges.
- Water Saving: our cartridges incorporate an adjustable flow limiter to save water every time you use the mixer.
- Anti-Scalding: forget about scalding caused by the water at a very high temperature. We take care of you and your family.



SINK MIXER WITH ELECTRONIC CONTROLS



- Quick touch innovative water flow and temperature regulation system:
 - '+' BUTTON: cold water maximum flow / more flow
 - '-' BUTTON: cold water minimum flow / less flow
 - 'BLUE' BUTTON: cold water medium flow / cooler temperature
 - 'RED' BUTTON: mixed water medium flow / warmer temperature
- Lights indicate water temperature
- Emergency battery in case of electric supply cut



MVX ELECTRONIC

CODE: 759010400

- Pull down shower with two sprays
- Electronic controls



MY 202

CODE: 182020200

Double fixing system (wall and sink) / Handshower with stop function / 1 function: Shower / High resistant flexible spring / Stainless steel flexible hose reinforced with plastic / independent spout / Anti-scale aerator



MYX

CODE: 389992700

Swivel and flexible spout / Anti-scale aerator / High resistant flexible spring / Stainless steel flexible hose reinforced with plastic for better protection and easy cleaning / Pull-down shower 2 functions: normal & shower spray



MY1

CODE: 1816002

Swivel and flexible spout / Anti-scale aerator / High resistant flexible spring / Stainless steel flexible hose recovered by plastic / Pull-down shower 2 functions: normal & shower spray



IC 915

CODE: 339150200

- Flat swivel spout
- Anti-scale aerator integrated in the spout





INX 994

CODE: 749940700

- High spout stainless steel mixer
- AISI 304
- Swivel spout



MZX

CODE: 389952700

- Swivel spout
- Anti-scale aerator integrated



FO 915

CODE: 629150200

- Swivel spout
- Anti-scale aerator integrated in the spout



ARK 938

CODE: 239381200

- Swivel spout
- Metallic pull-out shower 1 function: normal spray
- Anti-scale aerator



INX 915

CODE: 749150200

- Manufactured in high quality stainless steel (AISI 304)
- Swivel spout
- Anti-scale aerator



MZ CHROME

CODE: 3891502

- Swivel spout
- Anti-scale aerator integrated in the spout



VTK 938

CODE: 249380200

- Metallic pull-down shower 1 function: normal spray
- Swivel spout
- Anti-scale aerator



IN 995

CODE: 5399512

- Swivel spout
- Anti-scale aerator



MN

CODE: 8191462

- Swivel spout
- Anti-scale aerator



IN 912

CODE: 5391212

- Swivel spout
- Anti-scale aerator



MT PULL OUT

CODE: 4093802

- Swivel spout
- Pull-out shower 2 functions: normal & shower spray
- Anti-scale aerator



MTP 978

CODE: 469780200

- Swivel spout
- Pull-out shower 2 functions: normal & shower spray
- Anti-scale aerator



AUK 913

CODE: 509130200

- Swivel spout
- Anti-scale aerator



MTP 993

CODE: 469934500

- Swivel spout
- Anti-scale aerator



ML

CODE: 8191362

- Anti-scale aerator
- Swivel spout

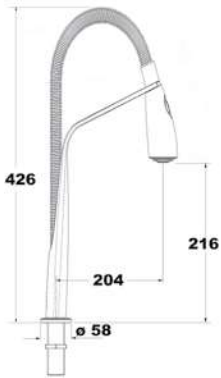


MTP 025

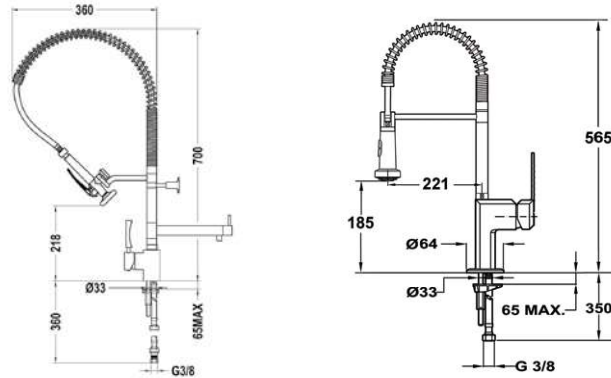
CODE: 460250200

- Wall mounted sink mixer
- Cast Swivel spout
- Anti-scale aerator

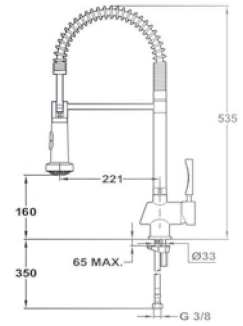
MVX ELECTRONIC MY 202



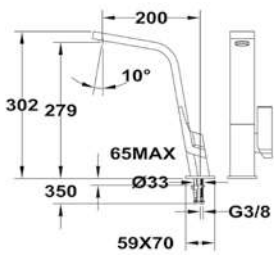
MYX



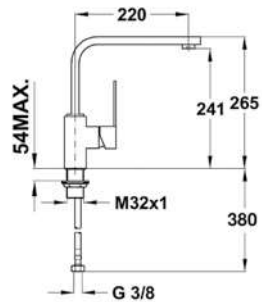
MY1



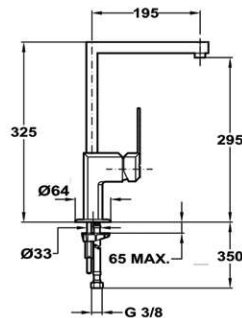
IC 915



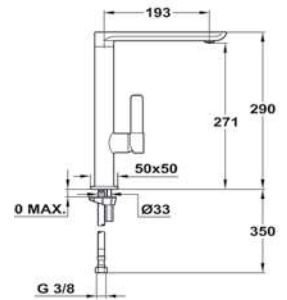
INX 994



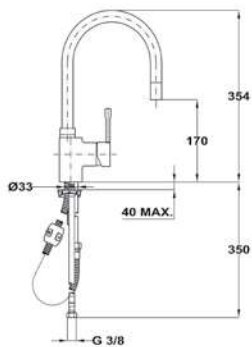
MZX



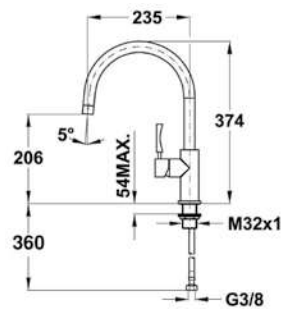
FO 915



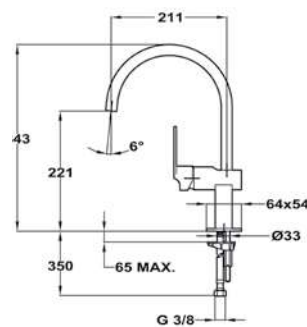
ARK 938



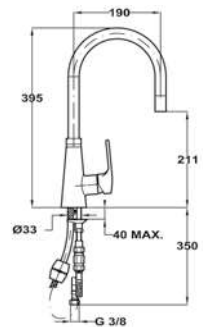
INX 915



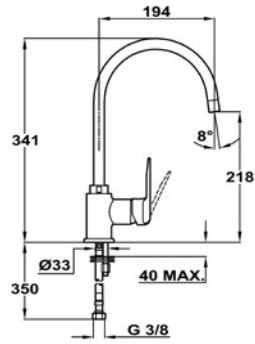
MZ



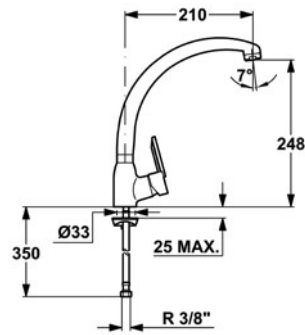
VTK 938



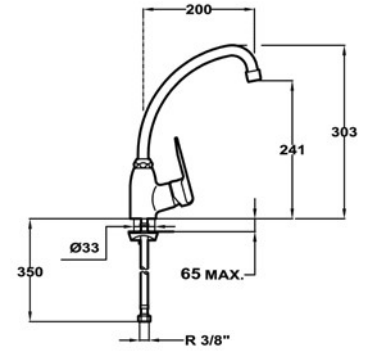
IN 995



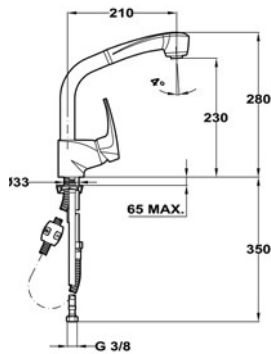
MN



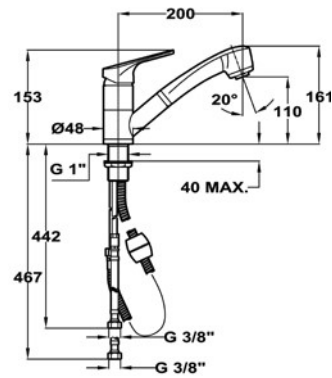
IN 912



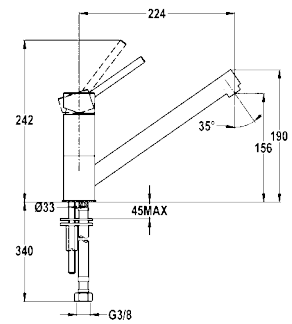
MT. PULL OUT



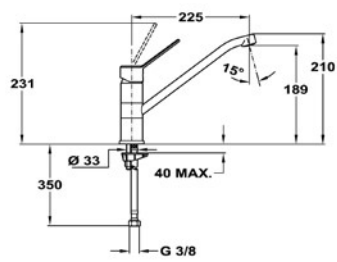
MTP 978



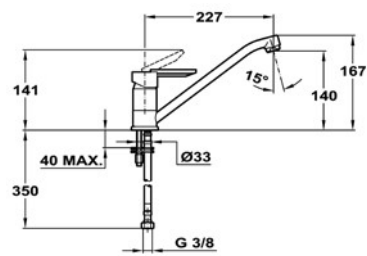
AUK 913



MTP 993



ML



MTP 025

