



# WATERHEATERS

WISHES COME TRUE

*Teka water heaters make your WISH come true,  
you will never have to worry about hot water again.*



RANGE OVERVIEW



*Serie H*

# TEKA WATER HEATERS

*Our quality is reduced in a commitment: 5 year warranty*

TEKA WATER HEATERS ARE DESIGNED TO MEET EVERYONE'S HOUSEHOLD NEEDS. WITH A RANGE CAPACITY 50 AND 80 LITRES AND THE MOST VERSATILE INSTALLATION POSSIBILITIES.



## HORIZONTAL OR VERTICAL?

Install the water heater wherever you want! Their versatility means they can easily be adapted to anyone's home. They can be installed vertically, horizontally, or even in a cabinet. You can choose where you want it without spoiling your kitchen's consistent style.



**ELCB EARTH LEAKAGE CIRCUIT BREAKER**

Designed to prevent leakage events. The water heater cuts off its electric power in 0.01 seconds, guaranteeing our users' safety and without affecting other appliances, such as refrigerators.



**ANTI DRY HEATING PROTECTION**

When the water level in the tank is low, the water heater switches off the heating element preventing possible overheating.



**PROTECTION AGAINST HUMIDITY**

Teka water heaters pass the IPX4 waterproof test, ensuring a longer life in humid environments.



**OVERHEAT PROTECTION**

The water heater is protected from overheating by an Independent thermo-cut system.



**ABSOLUTELY SAFE**

Teka is concerned about the safety of its consumers and their homes, that is why it invests in the latest safety system developments.



**5-year warranty!**

Teka water heaters are recognized by the strength of their materials providing the tank with higher resistance, better protection and a longer life cycle. We DO trust our products! And that is why we offer 2 years warranty for the full product and 5 years for the tank!



**DURABILITY THANKS TO THE BEST QUALITY MATERIALS.**

Our water heaters' stainless steel heating element has double protection against corrosion and rusting, ensuring great durability. It is covered by special sapphire enamel.



**LONGER LIFE**

**Keep the tank from corrosion.**

Teka new water heaters also comes equipped with a triple layer of sapphire enamel and 27% thicker magnesium anodes to ensure great durability and reliability.



CODE: 42080280

### EWH 80 H



#### Vertical and horizontal installation

- Capacity: 73 litres
- Sapphire enamelled tank
- Sapphire heating element
- Regulation of temperature: 30-75 °C
- Pressure valve > 5 bar
- Max. Input temperature: 0,75Mpa
- Thermometer
- Anti Over-pressure protection
- Earth leakage circuit breaker ELCB
- Overheat protection
- Anti Dry-heating Protection
- Waterproof Grade: IPX4
- Rated power output 1500 W
- Thickness of insolation: 20 mm
- Water connection: G½
- Average number of users: 2-4



#### EXTERNAL DIMENSIONS

⬆ 1030 mm ➡ 385 mm ↗ 425 mm



CODE: 42080250

### EWH 50 H



#### Vertical and horizontal installation

- Capacity: 46 litres
- Sapphire enamelled tank
- Sapphire heating element
- Regulation of temperature: 30-75 °C
- Pressure valve > 5 bar
- Max. Input temperature: 0,75Mpa
- Thermometer
- Anti Over-pressure protection
- Earth leakage circuit breaker ELCB
- Overheat protection
- Anti Dry-heating Protection
- Waterproof Grade: IPX4
- Rated power output 1500 W
- Thickness of insolation: 20 mm
- Water connection: G½
- Average number of users: 2-3



#### EXTERNAL DIMENSIONS

⬆ 711 mm ➡ 385 mm ↗ 425 mm



**EU REGULATION 812/2013**

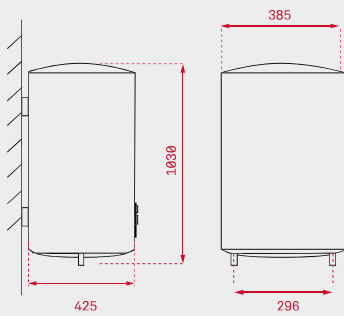
MODEL		EWH 80 H	EWH 50 H
Declared load profile		M	M
Water heating energy efficiency class		D	C
Water heating energy efficiency, $\eta_{wh}$	%	33	36
Annual energy consumption AEC	kWh/year	1554	1418
Thermostat temperature settings $T_{out}$ of the box	°C	75	75
Sound power level L <sub>WA</sub>	dB	15	15

**EU REGULATION 814/2013**

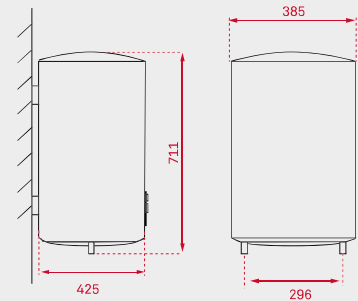
Storage volume, V		73	46
The mixed water at 40 °C V40		133	76
Water heating energy efficiency, $\eta_{wh}$		33,0	36,2

**CARACTERÍSTICAS**

Average number of users		/2-4/	/2-3/
Horizontal installation		•	•
Sapphire enameled steel tank		•	•
Sapphire heating element		•	•
Temperature regulation (°C)		30-75°C	30-75°C
Maximum input pressure		0,75 Mpa	0,75 Mpa
Thermometer		•	•
Magnesium protection anode		•	•
Maximum input temperatures (°C)		75°C	75°C
Overpressure protection		•	•
Protection against heating		•	•
Dry heating protection		•	•
Degree of protection against humidity		IPX4	IPX4
Insulation thickness (mm)		20	20
External dimensions (H/A/D), mm		1030/385/425	711/385/425



EWH 80 H



EWH 50 H

EWH 80 H · EWH 50 H



HORIZONTAL INSTALLATION

VERTICAL INSTALLATION