

I WISH

THEY DO NOT NOTICE THE  
SURPRISE WE ARE COOKING

by  
TEKA HOODS





# H O O D S

WISHES COME TRUE

*Delicious aromas with no unpleasant fumes or smells.  
Teka WISH hoods are as efficient and beautiful  
they look like works of art.*



## RANGE OVERVIEW



*Maestro*



*Total*



*Easy*

# TEKA HOODS

*More absorption, less consumption and more silent*

THANKS TO OUR TECHNOLOGICAL INNOVATIONS AND FUNCTIONS, TEKA MAKES A QUANTITATIVE LEAP IN ENERGY CONSUMPTION, LIGHTING, ABSORPTION CAPACITY AND RUMOROSITY WITH THE NEW COOKER HOODS.

## ENJOY THEIR POWER AND DESIGN

We like to create new models that offer you a wide variety of advanced control systems. We pay particular attention to aesthetics, because that is as important to you as their absorption capacity, energy consumption or good lighting.

The new Touch Control panels of black glass with white symbols highlight the personality of these extractor hoods.

## ECOPOWER: THE ECOLOGICAL MOTOR

Teka extends its range of EcoPower hoods. Provided with the most efficient, quieter motor that respects the environment and your immediate surroundings. With greater absorption capacity, up to 815 m<sup>3</sup>/h, and lower noise levels (only 37dB at 264m<sup>3</sup>/h of absorption capacity). Plus, energy savings of up to 75% and an energy rating of A++.





A BCDEFG



A BCDEFG



A BCDEFG



A BCDEFG

## QUADRUPLE

### SIMPLY THE BEST

Teka's new hood Perfect A4 obtains the top A rating on the 4 points that must be measured by EU regulation:

- ▶ Energy efficiency - A
- ▶ Fluid dynamic efficiency - A
- ▶ Lighting efficiency - A
- ▶ Grease filtering efficiency - A

Not only has Teka obtained the A++ best energy label; thanks to its experience as a manufacturer it has achieved optimum balance to obtain an "A" for the other points measured for extractor hoods.





**Slim**  
45 mm

### ULTRASLIM, DESIGN AND ELEGANCE WITHIN YOUR REACH

One of the thinnest hoods on the market. Its slim front panels detract nothing from its extraction capacity or its efficiency.

Discreet, very elegant and easy to clean, they maintain the air you breathe without asking for anything in exchange: That, for us, is true quality.

45 mm



#### EASY TO CLEAN

The new Teka hoods have filters with up to 12 layers of stainless steel. Easy to disassemble and easier yet to wash in the dishwasher.



#### NEW TIKAL HOODS

The new **Tikal** and **Perfect A4** hoods incorporate new decorative filters that cover a larger filtering surface. **Tikal's** stylized design has a profile that is only 15mm thick, and lighted electronic controls.



#### LED LIGHTING: LIVEN UP YOUR KITCHEN

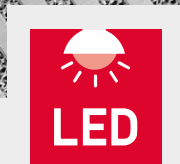
Long life, triple brightness, and energy consumption that is ten times less than a halogen lamp are some of the benefits of LED lights. Environmentally friendly.

## ASPIRATES ON ALL SIDES

Rim perimetral extraction system offers higher efficiency levels. More silence, faster extraction, easier cleaning...

The air, thanks to the **Venturi** effect, accelerates when it passes through the hood's perimeter slits. Then the speed is reduced inside, creating a barrier that prevents the smoke and bad smells from escaping.

The result: a clean, odour-free environment.



## UNIQUE IN THEIR CLASS

This describes the new **CNL** pull-out hoods. Notable because of their LED strip, decorative stainless steel filters of new design, with greater extraction capacities, electronic controls with up to 6 speeds, glass-front models and, above all, they now have A-rated energy efficiency.

# WISH HOODS

*Minimum consumption, highly accurate and very easy to use*

	_ MAESTRO				_ TOTAL	
	120	110	90	40	90	
ISLA	 DHT 1285 CEILING	 DPL 1185	 DH2 985	 CC-485	 DG3 985	
VERTICAL			 DVT 985 W/B	 DLV 985		
GLASS WING					 NC 980	
HORIZONTAL			 PERFECTA4 DLH 985 T		 DSS 985 TIKAL	 DSH 985
BUILT-IN					 DOS 90.1 BB	
PULL OUT					 CNL 9610 S INOX	
CLASSIC						

## MAESTRO

Domestic appliances for those who like going one step further. For those who will not settle for being like the rest

## TOTAL

Designed for those who demand everything of their appliances, for everyone in the house. Maximum effectiveness in any situation.

## EASY

For those who prefer no complications in the kitchen without denying themselves an appliance that gives so much while asking for so little in return.

### \_ TOTAL

70/60

55



NC 680



GFH 73



GFG2 SS



CNL 6610 S INOX

### \_ EASY

90

70 / 60



DBB 90 HP



DBB 90



DBB 60



DSJ 980



TL 9310 S INOX



TL 6310 S INOX



C 9310



C 6310 S INOX



CL 610 S/W





CODE: 40484180

## DHT 1285 INOX CEILING

— **\_MAESTRO**



### Rim extraction ceiling hood

EcoPower motor  
 Energy Efficiency class: A  
 Rim extraction  
 Remote control  
 Operating pilot light  
 6 speeds+ 4 intensive  
 Exhaust capacities:  
 Free Outlet, m<sup>3</sup>/h: 920  
 Qboost, m<sup>3</sup>/h: 807  
 Max., m<sup>3</sup>/h: 631, Min., m<sup>3</sup>/h: 315  
 Noise (LwA) Boost Speed, dB: 66  
 Noise (LwA) Max Speed, dB: 60  
 Noise (LwA) Min Speed, dB: 47  
 4 LED lamps  
 Stainless steel panel; 4 aluminum filters below  
 Stop delay timer  
 Filer saturation indicator

**COLOR**  
 Stainless steel

**EXTERNAL DIMENSIONS**  
 ➔ 1200 mm



CODE: 40480330

## CC 485 INOX

— **\_MAESTRO**



### Tubular island hood

EcoPower motor  
 Energy Efficiency class: A  
 Touch control with white display  
 White digital display  
 3 speeds + 1 intensive  
 Exhaust capacities:  
 Free Outlet, m<sup>3</sup>/h: 920  
 Qboost, m<sup>3</sup>/h: 771  
 Max., m<sup>3</sup>/h: 525, Min., m<sup>3</sup>/h: 305  
 Noise (LwA) Boost Speed, dB: 78  
 Noise (LwA) Max Speed, dB: 72  
 Noise (LwA) Min Speed, dB: 50  
 2 LED lamps  
 1 stainless steel filter  
 Stop delay timer  
 Filer saturation indicator

### Filter required for installation without outlet:

Recirculation Kit including  
 Charcoal Filter - SET 1/L1  
 Code: 40490148

Charcoal Filter - D4C+ADAPTOR  
 Code: 61801262+61801340

**COLOR**  
 Stainless steel

**EXTERNAL DIMENSIONS**  
 ➔ 400 mm



CODE STRUCTURE: 40483173 BODY: 40483172

## DPL 1185 ISLAND

— **\_MAESTRO**



### Rim extraction island hood

- EcoPower motor
- Energy Efficiency class: A
- Touch control with white display
- 3 speeds + 1 intensive
- Exhaust capacities:
- Free Outlet, m<sup>3</sup>/h: 920
- Qboost, m<sup>3</sup>/h: 782
- Max., m<sup>3</sup>/h: 629, Min., m<sup>3</sup>/h: 331
- Noise (LwA) Boost Speed, dB: 69
- Noise (LwA) Max Speed, dB: 66
- Noise (LwA) Min Speed, dB: 54
- 4 LED lamps
- Inox panel; 3 aluminum filters below
- Reinforced Black Glass
- Stop delay timer
- Filter saturation indicator

### Filter required for installation without outlet:

- Recirculation Kit including
- Charcoal Filter - SET 1/T1
- Code: 40490149

Charcoal Filter - D4C+ADAPTOR  
Code: 61801262+61801340

### COLOR

Stainless steel - Black glass upper part

### EXTERNAL DIMENSIONS

➔ 1100 mm



CODE: 40484640

## DH2 985 ISLAND

— **\_MAESTRO**



### Island hood

- EcoPower motor
- Energy Efficiency class: A
- Backlit electronic panel with white display
- 3 speeds + 1 intensive
- Exhaust capacities:
- Free Outlet, m<sup>3</sup>/h: 920
- Qboost, m<sup>3</sup>/h: 796
- Max., m<sup>3</sup>/h: 605, Min., m<sup>3</sup>/h: 311
- Noise (LwA) Boost Speed, dB: 71
- Noise (LwA) Max Speed, dB: 66
- Noise (LwA) Min Speed, dB: 52
- 4 LED lamps
- 4/3 stainless steel-aluminium filters
- Reinforced Black Glass, Easy to clean inside panel
- Stop delay timer
- Filter saturation indicator

### Filter required for installation without outlet:

- Recirculation Kit including
- Charcoal Filter - SET 1/T1
- Code: 40490149

Charcoal Filter - D4C+ADAPTOR  
Code: 61801262+61801340

### COLOR

Stainless steel - Black glass upper part

### EXTERNAL DIMENSIONS

➔ 900 mm



CODE: 40485150

### DG3 985 ISLAND

— \_TOTAL



#### Glass wing island hood

EcoPower motor  
 Energy Efficiency class: A  
 Backlit electronic panel with white display  
 3 speeds + 1 intensive  
 Exhaust capacities:  
 Free Outlet, m<sup>3</sup>/h: 920  
 Qboost, m<sup>3</sup>/h: 796  
 Max., m<sup>3</sup>/h: 605, Min., m<sup>3</sup>/h: 311  
 Noise (LwA) Boost Speed, dB: 71  
 Noise (LwA) Max Speed, dB: 66  
 Noise (LwA) Min Speed, dB: 52  
 4 LED lamps  
 2 stainless steel filters  
 Reinforced transparent glass  
 Stop delay timer  
 Filter saturation indicator

#### Filter required for installation without outlet:

Recirculation Kit including  
 Charcoal Filter - SET 1/T1  
 Code: 40490149

Charcoal Filter - D4C+ADAPTOR  
 Code: 61801262+61801340

#### COLOR

Stainless steel

#### EXTERNAL DIMENSIONS

➔ 900 mm



CODE: 40437200

### QUADRO DLV 985 T

— \_MAESTRO



#### Vertical decorative hood

Energy Efficiency class: A  
 Rim extraction  
 Touch control panel  
 3 speeds + 1 intensive  
 Exhaust capacities:  
 Free Outlet, m<sup>3</sup>/h: 814  
 Qboost, m<sup>3</sup>/h: 782  
 Max., m<sup>3</sup>/h: 614  
 Min., m<sup>3</sup>/h: 325  
 Noise (LwA) Boost Speed, dB: 72  
 Noise (LwA) Max Speed, dB: 65  
 Noise (LwA) Min Speed, dB: 54  
 1 LED bar  
 Glass panel; 2 aluminum filter below  
 Stop delay timer  
 Filter saturation indicator

#### Filter required for installation without outlet:

Recirculation Kit including  
 Charcoal Filter - SET 1/N1  
 Code: 40490147

Charcoal Filter - D4C+ADAPTOR  
 Code: 61801262+61801340

#### COLOR

Black

#### EXTERNAL DIMENSIONS

➔ 900 mm



CODE BLACK: 40483562 WHITE: 40483572

### DVT 985

— **\_MAESTRO**



#### Vertical decorative hood

- EcoPower motor
- Energy Efficiency class: A
- Rim extraction
- Touch control with white display
- 3 speeds + 1 intensive
- Exhaust capacities:
- Free Outlet, m<sup>3</sup>/h: 895
- Qboost, m<sup>3</sup>/h: 786
- Max., m<sup>3</sup>/h: 599, Min., m<sup>3</sup>/h: 303
- Noise (LwA) Boost Speed, dB: 71
- Noise (LwA) Max Speed, dB: 66
- Noise (LwA) Min Speed, dB: 52
- 2 LED lamps
- 1 Glass panel; aluminum filter below
- Stop delay timer
- Filter saturation indicator

#### Filter required for installation without outlet:

- Recirculation Kit including
- Charcoal Filter - SET 1/M 1
- Code: 40490146

- Charcoal Filter - D4C+ADAPTOR
- Code: 61801262+61801340

#### COLOR

Black / White

#### EXTERNAL DIMENSIONS

➔ 900 mm



CODE 980: 40455332 CODE 680: 40455330

### NC 980/680

— **\_TOTAL**



#### Ultraslim glass wing decorative hood

- Backlit electronic panel with white display
- Operating pilot light
- 3 speeds + 1 intensive
- Energy Efficiency class: D
- Exhaust capacities:
- Free Outlet, m<sup>3</sup>/h: 825
- Qboost, m<sup>3</sup>/h: 637
- Max., m<sup>3</sup>/h: 402, Min., m<sup>3</sup>/h: 298
- Noise (LwA) Boost Speed, dB: 70
- Noise (LwA) Max Speed, dB: 60
- Noise (LwA) Min Speed, dB: 52
- 2 LED lamps
- 1 stainless steel
- Reinforced glass upper structure
- Stop delay timer
- Filter saturation indicator

#### Filter required for installation without outlet:

- Recirculation Kit including
- Charcoal Filter - SET 1/N1
- Code: 40490147

- Charcoal Filter - D4C
- Code: 61801262

#### COLOR

Stainless steel - Glass wing

#### EXTERNAL DIMENSIONS

➔ 900 / 600 mm



NEW

CODE : 40437100

**PERFECTA4 DLH 985 T**

— **\_MAESTRO**



**Ultraslim decorative hood**

- EcoPower motor
- Energy Efficiency class: A
- Touch control panel
- Operating Pilot Light
- 3 speeds + 1 intensive
- Exhaust capacities:
- Free Outlet, m<sup>3</sup>/h: 795
- Qboost, m<sup>3</sup>/h: 740
- Max., m<sup>3</sup>/h: 586, Min., m<sup>3</sup>/h: 306
- Noise (LwA) Boost Speed, dB: 72
- Noise (LwA) Max Speed, dB: 68
- Noise (LwA) Min Speed, dB: 54
- 1 LED bar, 3 stainless steel filters (12 layers)
- Stop delay timer
- Filter saturation indicator

**Filter required for installation without outlet:**

- Recirculation Kit including
- Charcoal Filter - SET 1/N1
- Code: 40490147

- Charcoal Filter - D4C+ADAPTOR
- Code: 61801262+61801340

**COLOR**  
Stainless steel / Black

**EXTERNAL DIMENSIONS**  
➔ 900 mm



NEW

CODE: 40484202

**DSH 985**

— **\_TOTAL**



**Ultraslim decorative hood**

- EcoPower motor
- Energy Efficiency class: A
- Backlit electronic control with white display
- 3 speeds + 1 intensive
- Exhaust capacities:
- Free Outlet, m<sup>3</sup>/h: 920
- Qboost, m<sup>3</sup>/h: 735
- Max., m<sup>3</sup>/h: 586
- Min., m<sup>3</sup>/h: 305
- Noise (LwA) Boost Speed, dB: 72
- Noise (LwA) Max Speed, dB: 68
- Noise (LwA) Min Speed, dB: 54
- 1 LED bar
- 3 stainless steel filters
- Stop delay timer

**Filter required for installation without outlet:**

- Recirculation Kit including
- Charcoal Filter - SET 1/N1
- Code: 40490147

- Charcoal Filter - D4C+ADAPTOR
- Code: 61801262+61801340

**COLOR**  
Stainless steel

**EXTERNAL DIMENSIONS**  
➔ 900 mm



NEW

CODE: 40484821

### DSJ 980

**EASY**



#### Ultraslim decorative hood

- Push Buttons Control Panel
- Operating Pilot Light
- 4 speeds
- Exhaust capacities:
- Free Outlet, m<sup>3</sup>/h: 638
- Max., m<sup>3</sup>/h: 614
- Min., m<sup>3</sup>/h: 268
- Noise (LwA) Max Speed, dB: 66
- Noise (LwA) Min Speed, dB: 48
- 2 LED lamps
- 3 stainless Steel filters

#### Filter required for installation without outlet:

- Recirculation Kit including
- Charcoal Filter - D1CTP
- Code: 40490150

- Charcoal Filter Only - D1C
- Code: 61801236

**COLOR**  
Stainless Steel

#### EXTERNAL DIMENSIONS

➔ 900 mm



NEW

CODE: 40437010

### TIKAL DSS 985

**TOTAL**



#### Pyramidal decorative hood

- EcoPower motor
- Energy Efficiency class: A
- Illuminated push buttons
- 3 speeds + 1 intensive
- Exhaust capacities:
- Free Outlet, m<sup>3</sup>/h: 792
- Qboost, m<sup>3</sup>/h: 760
- Max., m<sup>3</sup>/h: 597
- Min., m<sup>3</sup>/h: 303
- Noise (LwA) Boost Speed, dB: 73
- Noise (LwA) Max Speed, dB: 68
- Noise (LwA) Min Speed, dB: 54
- 1 LED bar
- 3/2 Stainless Steel filters
- Stop delay timer

#### Filter required for installation without outlet:

- Recirculation Kit including
- Charcoal Filter - SET 1/N1
- Code: 40490147

- Charcoal Filter - D4C+ADAPTOR
- Code: 61801262+61801340

**COLOR**  
Stainless steel

#### EXTERNAL DIMENSIONS

➔ 900 mm



**NEW**

CODE: 40460472

## DBB 90 HP

**\_EASY**



### Pyramidal decorative hood

Push buttons control panel

Operating Pilot Light

3 speeds

Exhaust capacities:

Free Outlet, m<sup>3</sup>/h: 850

Max., m<sup>3</sup>/h: 780

Min., m<sup>3</sup>/h: 240

Noise (LwA) Max Speed, dB: 56

Noise (LwA) Min Speed, dB: 48

2 Incandescent lamps

3/2 aluminum filters

### Filter required for installation without outlet:

Recirculation Kit including

Charcoal Filter - SET 1/M1

Code: 40490146

Charcoal Filter - D4C

Code: 61801262

### COLOR

Stainless Steel

### EXTERNAL DIMENSIONS

➔ 900 mm



CODE 90: 40420060 CODE 60: 40420050

### DBB 90/60

— **\_EASY**



#### Pyramidal decorative hood

Push buttons control panel  
 Operating Pilot Light  
 3 speeds  
 Energy Efficiency class: E  
 Exhaust capacities:  
 Free Outlet, m<sup>3</sup>/h: 475  
 Max., m<sup>3</sup>/h: 380  
 Min., m<sup>3</sup>/h: 234  
 Noise (LwA) Max Speed, dB: 60  
 Noise (LwA) Min Speed, dB: 44  
 2 Incandescent lamps  
 3/2 aluminum filters

#### Filter required for installation without outlet:

Recirculation Kit including  
 Charcoal Filter - SET 1/M1  
 Code: 40490146

Charcoal Filter - D4C  
 Code: 61801262

— **COLOR**  
 Stainless Steel

#### EXTERNAL DIMENSIONS

➔ 900 / 600 mm



CODE: 40489331

### DOS 90.1 BB

— **\_TOTAL**



#### Rustic decorative hood

Electronic control panel  
 Operating Pilot Light  
 3 speeds  
 Exhaust capacities:  
 Free Outlet, m<sup>3</sup>/h: 650  
 Max., m<sup>3</sup>/h: 603  
 Min., m<sup>3</sup>/h: 256  
 Noise (LwA) Max Speed, dB: 66  
 Noise (LwA) Min Speed, dB: 51  
 2 halogen lamps  
 2 aluminium filters

#### Filter required for installation without outlet:

Recirculation Kit including  
 Charcoal Filter - SET 4/D  
 Code: 40490910

Charcoal Filter - D5C  
 Code: 61801259

— **COLOR**  
 Beige-Brass

#### EXTERNAL DIMENSIONS

➔ 900 mm





CODE 9610: 40436850 / 6610: 40436830

### CNL 9610 / 6610

— **\_TOTAL**



#### Pull-out hood

Electronic control panel  
 Energy Efficiency class: C  
 2+1 speeds  
 Exhaust capacities:  
 Free Outlet, m<sup>3</sup>/h: 745  
 Qboost, m<sup>3</sup>/h: 694  
 Max., m<sup>3</sup>/h: 445  
 Min., m<sup>3</sup>/h: 330  
 Noise (LwA) Boost Speed, dB: 70  
 Noise (LwA) Max Speed, dB: 63  
 Noise (LwA) Min Speed, dB: 60  
 3 LED lamps  
 4 aluminium filters  
 Automatic Lighting  
 Exchangeable Front Panel  
 Finger Print Proof Front Panel

#### Filter required for installation without outlet:

Recirculation Kit not required  
 Charcoal Filter Only - D4C  
 Code: 61801262

#### COLOR

Finger Print Proof Stainless Steel

#### EXTERNAL DIMENSIONS

➔ 900 / 600 mm



CODE 9310: 40474390 / 6310: 40474250

### TL 9310 / TL 6310

— **\_EASY**



#### Pull-out hood

Mechanical control panel  
 Energy Efficiency class: E  
 2 speeds  
 Exhaust capacities:  
 Free Outlet, m<sup>3</sup>/h: 366  
 Max., m<sup>3</sup>/h: 332  
 Min., m<sup>3</sup>/h: 233  
 Noise (LwA) Max Speed, dB: 65  
 Noise (LwA) Min Speed, dB: 56  
 2 halogen lamps  
 4 / 2 aluminium filters  
 Automatic Lighting  
 Exchangeable Front Panel

#### Filter required for installation without outlet:

Recirculation Kit not required  
 Charcoal Filter Only - C3C  
 Code: 61801251

#### COLOR

Stainless Steel

#### EXTERNAL DIMENSIONS

➔ 900 / 600 mm



CODE 9310: 40466240 / 6310: 40461540

### C 9310 / C 6310

— **\_EASY**



#### Classic hood

Push buttons control panel (SS models)

Operating pilot light

Energy Efficiency class: E

3 speeds, Exhaust capacities:

Free Outlet, m<sup>3</sup>/h: 254

Max., m<sup>3</sup>/h: 235, Min., m<sup>3</sup>/h: 124

Noise (LwA) Max Speed, dB: 62

Noise (LwA) Min Speed, dB: 45

2 halogen lamps, 3 aluminium filters

Finger Print Proof Front Panel (SS)

### C 6310

Push buttons control panel (SS models)

Noise (LwA) Max Speed, dB: 66

Noise (LwA) Min Speed, dB: 49

2 aluminium filters

#### Filter required for installation without outlet:

Recirculation Kit not required

Charcoal Filter Only - C2R

Code: 61801239

#### COLOR

Finger Print Proof Stainless Steel

#### EXTERNAL DIMENSIONS

➔ 900 / 600 mm



CODE SILVER: 40495271 CODE WHITE: 40495270

### CL 610 S / W

— **\_EASY**



#### Classic hood

Slider control panel

Energy Efficiency class: D

3 speeds

Exhaust capacities:

Free Outlet, m<sup>3</sup>/h: 200

Max., m<sup>3</sup>/h: 200

Min., m<sup>3</sup>/h: 147

Noise (LwA) Max Speed, dB: 61

Noise (LwA) Min Speed, dB: 52

1 halogen lamp

2 aluminium filters

#### Filter required for installation without outlet:

Recirculation Kit not required

Charcoal Filter Only - C4C

Code: 61801341

#### COLOR

Silver / White

#### EXTERNAL DIMENSIONS

➔ 600 mm



CODE: 40446710

### GFH 73

— **\_TOTAL**



#### Filter group

Push buttons control panel  
 Operating pilot light  
 Energy Efficiency class: E  
 3 speeds  
 Exhaust capacities:  
 Free Outlet, m<sup>3</sup>/h: 367  
 Max., m<sup>3</sup>/h: 329  
 Min., m<sup>3</sup>/h: 223  
 Noise (LwA) Max Speed, dB: 69  
 Noise (LwA) Min Speed, dB: 62  
 2 Integrated halogen lamps  
 2 aluminium filters

#### Filter required for installation without outlet:

Recirculation Kit not required  
 Charcoal Filter Only - C3C  
 Code: 61801251

— **COLOR**  
 Stainless steel

#### EXTERNAL DIMENSIONS

➔ 730 mm



CODE: 40446753

### GFG 2 SS

— **\_TOTAL**



#### Filter group

Push buttons control panel  
 Energy Efficiency class: E  
 3 speeds  
 Exhaust capacities:  
 Free Outlet, m<sup>3</sup>/h: 444  
 Max., m<sup>3</sup>/h: 329  
 Min., m<sup>3</sup>/h: 223  
 Noise (LwA) Max Speed, dB: 63  
 Noise (LwA) Min Speed, dB: 53  
 1 LED bar  
 1 stainless Steel filters (SS)

#### Filter required for installation without outlet:

Recirculation Kit not required  
 Charcoal Filter Only - C3C  
 Code: 61801251

— **COLOR**  
 Stainless steel

#### EXTERNAL DIMENSIONS

➔ 550 mm

PRODUCT FICHE ACCORDING TO COMMISSION DELEGATED REGULATION (EU) NO 65/2014

MODEL	DHT 1285 INOX	CC 485 INOX	DH2 985 ISLAND DG3 985
Annual Energy Consumption (AEChood) kWh/a	46,7	44,7	47,8
Energy Efficiency class	A	A	A
Fluid Dynamic Efficiency (FDEhood)	32,1	32,2	32,3
Fluid Dynamic Efficiency class	A	A	A
Light Efficiency (Lehood) lux/Watt	58,3	87,3	58,3
Lighting Efficiency class	A	A	A
Grease Filtering Efficiency (GFEhood) %	86,8	77,8	83,4
Grease Filtering Efficiency class	B	C	C
Air flow (Qmin) m3/h	315	305	311
Air flow (Qmax) m3/h	631	525	605
Air flow (Qboost) m3/h	807	771	796
Noise (LwA) Min Speed, dB	47	50	52
Noise (LwA) Max Speed, dB	60	72	66
Noise (LwA) Boost Speed, dB	66	78	71
Off mode Power (Po), W	0,0	0,0	0,0
Standby Power (Ps), W	0,98	0,74	0,56
Energy Efficiency Index (EELhood)	49,9	47,3	50,1
Time increase actor (f)	0,8	0,8	0,8
Air flow at best efficiency point (Qbep) m3/h	329,8	345	341
Air pressure at best efficiency point (Pbep) Pa	456,0	465	456
Electric power input at best efficiency point (Wbep) W	130,1	138,2	133,7
Nominal power of the lighting sy (WL) W	12,0	6,0	12,0
Average illumination of the lighting system on the cooking surface (Emiddle) Lux	700	524	700

#### FEATURES

Type	Ceiling	Island	Island
Width (mm)	1200	400	1200/900
Color(s)	Inox	Inox	Inox
Aspiration Type	Rim extraction	Conventional	Conventional
Control Panel	Remote control	Touch control with white display	Backlit electronic control with white display
Remote Control	•	-	-
Stop delay timer	•	•	•
Filter saturation indicator	•	•	•
Operating Pilot Light	•	-	-
Moisture sensor	-	-	-
Number of speeds	6 + 4	3 + 1	3 + 1
Exhaust Capacity - Free Outlet (m³/h)	920	920	920
Lamps Type	LED	LED	LED
Number & Lamp Power, W	4x 3W	2 X 3W	4 x 3W
Number of filters	4	1	2 / 4 / 3
Filter description	Aluminum	Stainless Steel	Stainless Steel
Easy-clean inside panel	-	-	DH2 1285 ISLAND DH2 985 ISLAND
Automatic Lighting	-	-	-
Exchangeable front panel	-	-	-
Fingerprint proof front panel	-	-	-

#### ACCESSORIES

Anti return valve	-	•	•
Outlet Reduction 150/120 mm	•	•	•
Outlet Extension 120/120 mm	-	-	-
Charcoal Filter, optional	-	D4C + adaptador	D4C + adaptador
Recirculation Kit, optional	-	SET 1/L1	SET 1/T1

#### TECHNICAL SPECIFICICATIONS

Number & motor type	1 DT	1 DT	1 DT
Motor Power, W	280	280	280
Ø Outlet, mm	150	150	150
Voltage, V	220-240	220-240	220-240
Frequency, Hz	50/60	50/60	50/60
Total Hood Power, W	292	286	292

PRODUCT FICHE ACCORDING TO COMMISSION DELEGATED REGULATION (EU) NO 65/2014

MODEL	DPL 1185 ISLAND	DVT 985 B DVT 985 W	QUADRO DLV 985	NC 980/680
Annual Energy Consumption (AEChood) kWh/a	49,3	51,1	51,8	135,8
Energy Efficiency class	A	A	A	D
Fluid Dynamic Efficiency (FDEhood)	32,1	32,3	34,5	12,7
Fluid Dynamic Efficiency class	A	A	A	E
Light Efficiency (Lehood) lux/Watt	58,3	69,8	55,7	65,2 / 77,2 / 73,8
Lighting Efficiency class	A	A	A	A
Grease Filtering Efficiency (GFEhood) %	75,9	75,9	75,9	83,7
Grease Filtering Efficiency class	C	C	C	C
Air flow (Qmin) m3/h	331	303	325	298
Air flow (Qmax) m3/h	629	599	614	402
Air flow (Qboost) m3/h	782	786	782	637
Noise (LwA) Min Speed, dB	54	52	54	52
Noise (LwA) Max Speed, dB	66	66	65	60
Noise (LwA) Boost Speed, dB	69	71	72	70
Off mode Power (Po), W	0,0	0,0	0,32	0,0
Standby Power (Ps), W	0,74	0,74	0	0,56
Energy Efficiency Index (EEIhood)	50,1	47,9	48,3	90,2
Time increase actor (f)	0,8	0,8	0,8	1,5
Air flow at best efficiency point (Qbep) m3/h	346	404,9	440	427,0
Air pressure at best efficiency point (Pbep) Pa	464	460	452	257,0
Electric power input at best efficiency point (Wbep) W	139	160,1	160,0	240,0
Nominal power of the lighting sy (WL) W	12	6	7	6,0
Average illumination of the lighting system on the cooking surface (Emiddle) Lux	700	419	390	391/463/443

**FEATURES**

Type	Island	Vertical	Vertical	Glass Wing
Width (mm)	1100	900	900	900/600
Color(s)	Inox & black	Black/white	Black	Inox & Glass wing
Aspiration Type	Rim extraction	Rim extraction	Rim extraction	Conventional
Control Panel	Touch control with white display	Touch control with white display	Touch control with white display	Backlit electronic control with white display
Remote Control	-	-	-	-
Stop delay timer	•	•	•	•
Filter saturation indicator	•	•	•	•
Operating Pilot Light	-	-	-	-
Moisture sensor	-	-	-	-
Number of speeds	3 + 1	3 + 1	3 + 1	3 + 1
Exhaust Capacity - Free Outlet (m³/h)	920	895	814	825
Lamps Type	LED	LED	LED bar	LED
Number & Lamp Power, W	4 X 3W	2 X 3W	1 x 7W	2 X 3W
Number of filters	3	1	2	1
Filter description	inox panel aluminum filters below	Glass panel aluminum filter below	Glass panel aluminum filter below	Stainless Steel
Easy-clean inside panel	-	-	-	-
Automatic Lighting	-	-	-	-
Exchangeable front panel	-	-	-	-
Fingerprint proof front panel	-	-	-	-

**ACCESSORIES**

Anti return valve	•	•	•	•
Outlet Reduction 150/120 mm	•	•	•	•
Outlet Extension 120/120 mm	-	-	-	-
Charcoal Filter, optional	D4C + adaptador	D4C + adaptador	D4C + adaptador	D4C
Recirculation Kit, optional	SET 1/T1	SET 1/M1	SET 1/N1	SET 1/N1

**TECHNICAL SPECIFICICATIONS**

Number & motor type	1 DT	1 DT	1 DT	1 DT
Motor Power, W	280	280	280	230
Ø Outlet, mm	150	150	150	150
Voltage, V	220-240	220-240	230	220-240
Frequency, Hz	50/60	50/60	50	50/60
Total Hood Power, W	292	286	287	236

PRODUCT FICHE ACCORDING TO COMMISSION DELEGATED REGULATION (EU) NO 65/2014

MODEL	PERFECTA4 DLH 985 T	DSH 985	DSJ 980	TIKAL DSS 985
Annual Energy Consumption (AEC <sub>hood</sub> ) kWh/a	55,5	54,7	96,7	54,6
Energy Efficiency class	A	A	C	A
Fluid Dynamic Efficiency (FDE <sub>hood</sub> )	31,6	31,0	16,4	33,0
Fluid Dynamic Efficiency class	A	A	D	A
Light Efficiency (Le <sub>hood</sub> ) lux/Watt	55,7	49,3	31,9	41,7
Lighting Efficiency class	A	A	A	A
Grease Filtering Efficiency (GFE <sub>hood</sub> ) %	98,2	82	76,1	82,7
Grease Filtering Efficiency class	A	C	C	C
Air flow (Q <sub>min</sub> ) m <sup>3</sup> /h	306	305	268	303
Air flow (Q <sub>max</sub> ) m <sup>3</sup> /h	586	586	614	597
Air flow (Q <sub>boost</sub> ) m <sup>3</sup> /h	740	735	N/A	760,0
Noise (L <sub>wA</sub> ) Min Speed, dB	54	54	48	54
Noise (L <sub>wA</sub> ) Max Speed, dB	68	68	66	68
Noise (L <sub>wA</sub> ) Boost Speed, dB	72	72	N/A	73
Off mode Power (P <sub>o</sub> ), W	0,32	0,25	N/A	0,32
Standby Power (P <sub>s</sub> ), W	0	N/A	N/A	0
Energy Efficiency Index (EEI <sub>hood</sub> )	53,6	53,3	81,5	50,4
Time increase actor (f)	0,9	0,9	14	0,8
Air flow at best efficiency point (Q <sub>bep</sub> ) m <sup>3</sup> /h	391,7	388	363,1	418
Air pressure at best efficiency point (P <sub>bep</sub> ) Pa	445	440	301	446
Electric power input at best efficiency point (W <sub>bep</sub> ) W	153,3	153,1	185,0	157
Nominal power of the lighting sy (W <sub>L</sub> ) W	7,0	6,0	3,0	12
Average illumination of the lighting system on the cooking surface (E <sub>middle</sub> ) Lux	390,0	296	95	500

#### FEATURES

Type	Horizontal	Horizontal	Horizontal	Pyramidal
Width (mm)	900	900	900	900
Color(s)	Inox & Black	Inox	Inox	Inox
Aspiration Type	Conventional	Conventional	Conventional	Conventional
Control Panel	Touch control (glass front) with white display	Backlit electronic control with white display (DH3)	Push buttons	Illuminated push buttons
Remote Control	-	-	-	-
Stop delay timer	•	•	-	•
Filter saturation indicator	•	•	-	-
Operating Pilot Light	-	-	•	-
Moisture sensor	•	-	-	-
Number of speeds	3 + 1	3 + 1	4	3 + 1
Exhaust Capacity - Free Outlet (m <sup>3</sup> /h)	795	920	638	792
Lamps Type	LED bar	LED bar	LED	LED bar
Number & Lamp Power, W	1 x 7W	1 X 6W	2x1,5W	1 x 12W
Number of filters	3	3	3	3
Filter description	Stainless Steel	Stainless Steel	Stainless Steel	Stainless Steel
Easy-clean inside panel	-	-	-	-
Automatic Lighting	-	-	-	-
Exchangeable front panel	-	-	-	-
Fingerprint proof front panel	-	-	-	-

#### ACCESSORIES

Anti return valve	•	•	•	•
Outlet Reduction 150/120 mm	•	•	•	•
Outlet Extension 120/120 mm	-	-	-	-
Charcoal Filter, optional	D4C + adaptador	D4C + adaptador	D1C	D4C + adaptador
Recirculation Kit, optional	SET 1/N 1	SET 1/N1	D1CTP	SET 1/N1

#### TECHNICAL SPECIFICATIONS

Number & motor type	1 DT	1 DT	1DT	1 DT
Motor Power, W	280	280	220	280
Ø Outlet, mm	150	150	150	150
Voltage, V	230	220-240	220-240	230
Frequency, Hz	50	50/60	50/60	50
Total Hood Power, W	287	286	223	292

PRODUCT FICHE ACCORDING TO COMMISSION DELEGATED REGULATION (EU) NO 65/2014

MODEL	DBB 90 HP	DBB 90/60	DOS 90,1 BB	CNL 9610 CNL 6610	TL 9310 TL 6310
Annual Energy Consumption (AEC <sub>hood</sub> ) kWh/a	185,9	113,4	93,2	107/105,9	137,5
Energy Efficiency class	D	E	C	C	E
Fluid Dynamic Efficiency (FDE <sub>hood</sub> )	14,7	6,9	23,8	17,2	6,4
Fluid Dynamic Efficiency class	D	F	B	D	F
Light Efficiency (Le <sub>hood</sub> ) lux/Watt	1	1	9,0	33,3/42,7	0,7/0,8
Lighting Efficiency class	G	G	E	A	G
Grease Filtering Efficiency (GFE <sub>hood</sub> ) %	76,1	73,4	66,0	72,8	69,3
Grease Filtering Efficiency class	D	D	D	D	D
Air flow (Q <sub>min</sub> ) m <sup>3</sup> /h	295	234	256	330	233
Air flow (Q <sub>max</sub> ) m <sup>3</sup> /h	650	380	603	445	332
Air flow (Q <sub>boost</sub> ) m <sup>3</sup> /h	0	0	0	694	0
Noise (L <sub>wA</sub> ) Min Speed, dB	48	44	51	60	56
Noise (L <sub>wA</sub> ) Max Speed, dB	67	60	66	63	65
Noise (L <sub>wA</sub> ) Boost Speed, dB	0	0	0	70	0
Off mode Power (P <sub>o</sub> ), W	0	0	0	0	0
Standby Power (P <sub>s</sub> ), W	0	0	0	0	0
Energy Efficiency Index (EE <sub>hood</sub> )	99,2	107,7	74,6	82,7 / 82,4	108,3
Time increase actor (f)	1,5	1,8	1,1	1,4	1,8
Air flow at best efficiency point (Q <sub>bep</sub> ) m <sup>3</sup> /h	473,9	210,6	288	433	228
Air pressure at best efficiency point (P <sub>bep</sub> ) Pa	260	99	474	290	149
Electric power input at best efficiency point (W <sub>bep</sub> ) W	232,9	83,7	159,5	203	147
Nominal power of the lighting sy (W <sub>L</sub> ) W	80	80	40	4,5/3	56
Average illumination of the lighting system on the cooking surface (E <sub>middle</sub> ) Lux	65	65	360	150/128	41/44

**FEATURES**

Type	Pyramidal	Pyramidal	Rustic	Pull out	Pull out
Width (mm)	900	900 /600	900/600	900/600	900/600
Color(s)	Inox	Inox	Beige Brass / Anthracite Brass	Inox	Inox/ White(60) / Black.(60)
Aspiration Type	Conventional	Conventional	Conventional	Conventional	Conventional
Control Panel	Push Buttons	Push Buttons	Electronic Control	Electronic	Mechanical
Remote Control	-	-	-	-	-
Stop delay timer	-	-	-	•	-
Filter saturation indicator	-	-	-	-	-
Operating Pilot Light	•	•	•	-	-
Moisture sensor	-	-	-	-	-
Number of speeds	3	3	3	2+1	2
Exhaust Capacity - Free Outlet (m <sup>3</sup> /h)	850	475	650	745	366
Lamps Type	Incandescent	Incandescent	Halogen	230V LED	Halogen
Number & Lamp Power, W	2 x 40W	2 x 40W	2 X 20W	3x1,5W/ 2x1,5W	2 x 28
Number of filters	3 / 2 / 2	3 / 2 / 2	2	4 / 2	4 / 2
Filter description	Aluminum	Aluminum	Aluminum	Aluminum	Aluminum
Easy-clean inside panel	-	-	-	-	-
Automatic Lighting	-	-	-	•	-
Exchangeable front panel	-	-	-	•	•
Fingerprint proof front panel	-	-	-	•	-

**ACCESSORIES**

Anti return valve	•	•	•	•	•
Outlet Reduction 150/120 mm	•	•	•	•	-
Outlet Extension 120/120 mm	-	-	-	-	•
Charcoal Filter, optional	D4C	D4C	D5C	D4C	C3C
Recirculation Kit, optional	SET 1/M1	SET 1/M1	SET 4/D	-	-

**TECHNICAL SPECIFICICATIONS**

Number & motor type	1 DT	1 DT	1 DT	1 DT	1 DT
Motor Power, W	230	115	250	230	175
Ø Outlet, mm	150	150	150	150	120
Voltage, V	220-240	220-240	220-230	230	230
Frequency, Hz	50/60	50/60	50/60	50	50
Total Hood Power, W	310	195	290	235/233	231

PRODUCT FICHE ACCORDING TO COMMISSION DELEGATED REGULATION (EU) NO 65/2014

MODEL	C 9310 C 6310	CL 610 S/W	GFH 73	GF2 55
Annual Energy Consumption (AEChood) kWh/a	130,9	83	124,5	98,9
Energy Efficiency class	E	D	E	E
Fluid Dynamic Efficiency (FDEhood)	5,3	6,2	6,5	6,5/6,4
Fluid Dynamic Efficiency class	F	F	F	F
Light Efficiency (Lehood) lux/Watt	0,7/0,8	1	5,0	16,4 / 16
Lighting Efficiency class	G	G	F	C / D
Grease Filtering Efficiency (GFEhood) %	72,8	70,0	77,6	85,7
Grease Filtering Efficiency class	D	D	C	B
Air flow (Qmin) m3/h	124	147	223	223
Air flow (Qmax) m3/h	235	200	329	329
Air flow (Qboost) m3/h	0	0	0	0,0
Noise (LwA) Min Speed, dB	45/49	52	62	53
Noise (LwA) Max Speed, dB	62/66	61	69	63
Noise (LwA) Boost Speed, dB	0	0	0	0
Off mode Power (Po), W	0	0	0	0
Standby Power (Ps), W	0	0	0	0
Energy Efficiency Index (EEIhood)	107,7	99,9	106,3	101,1 / 100,5
Time increase actor (f)	1,8	1,8	1,8	1,8
Air flow at best efficiency point (Qbep) m3/h	136	119	234	228
Air pressure at best efficiency point (Pbep) Pa	191	179	146	149
Electric power input at best efficiency point (Wbep) W	137	95	145	145
Nominal power of the lighting sy (WL) W	56	28	40	5
Average illumination of the lighting system on the cooking surface (Emiddle) Lux	41/44	41	186	82

#### FEATURES

Type	Classic	Classic	Filter Group	Filter Group
Width (mm)	900/600	600	730	550
Color(s)	Inox	White & glass panel Inox & glass panel	Stainless steel	Inox/White glass/ Black glass
Aspiration Type	Conventional	Conventional	Conventional	Conventional
Control Panel	Push buttons (inox)	Slider control	Push buttons	Push buttons
Remote Control	-	-	-	-
Stop delay timer	-	-	-	-
Filter saturation indicator	-	-	-	-
Operating Pilot Light	•	-	•	-
Moisture sensor	-	-	-	-
Number of speeds	3	3	3	3
Exhaust Capacity - Free Outlet (m³/h)	254	205	367	444
Lamps Type	Halogen	Halogen	Halogen	LED bar
Number & Lamp Power, W	2 x 28W	1 X 28 W	2 x 20W	1x5W
Number of filters	3 / 2	2	2	1
Filter description	Aluminum	Aluminium	Aluminum	Stainless Steel Aluminium (W/B)
Easy-clean inside panel	-	-	-	-
Automatic Lighting	-	-	-	-
Exchangeable front panel	-	-	-	-
Fingerprint proof front panel	• (Inox)	-	-	-

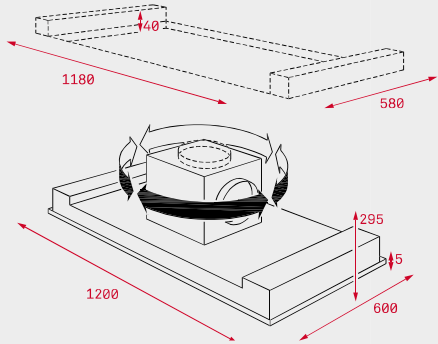
#### ACCESSORIES

Anti return valve	•	•	-	•
Outlet Reduction 150/120 mm	-	-	-	-
Outlet Extension 120/120 mm	•	-	•	•
Charcoal Filter, optional	C2R	C4C	C3C	C3C
Recirculation Kit, optional	-	-	-	-

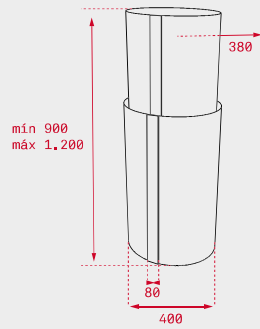
#### TECHNICAL SPECIFICATIONS

Number & motor type	1	1	1 DT	1 DT
Motor Power, W	130	110	175	175
Ø Outlet, mm	120	120	120	120
Voltage, V	230	220-240	230	230
Frequency, Hz	50	50	50	50
Total Hood Power, W	186	138	215	180

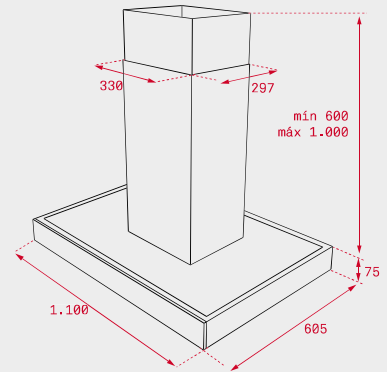




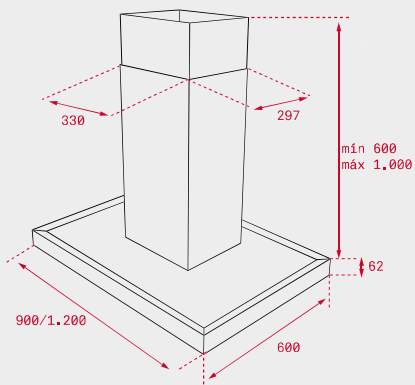
DHT 1285 ISLAND



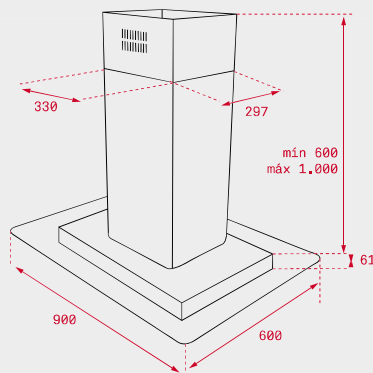
CC 485



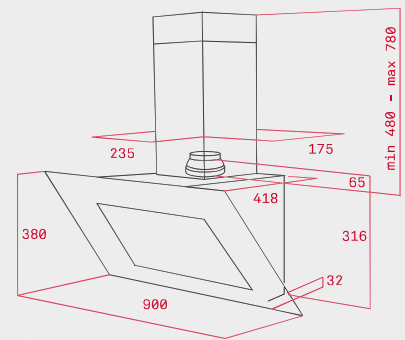
DPL 1185



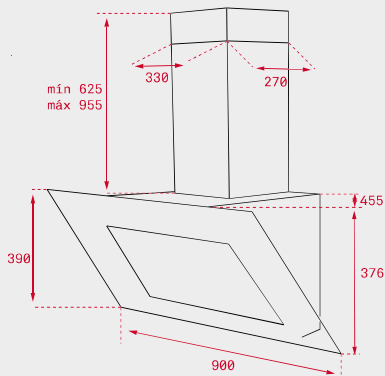
DH2 985



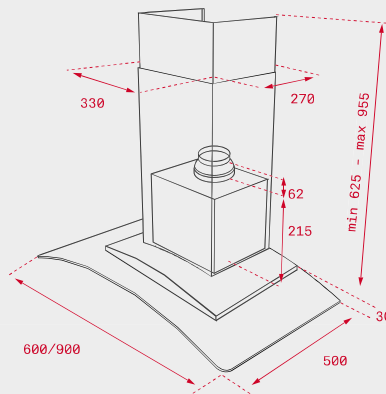
DG3 985



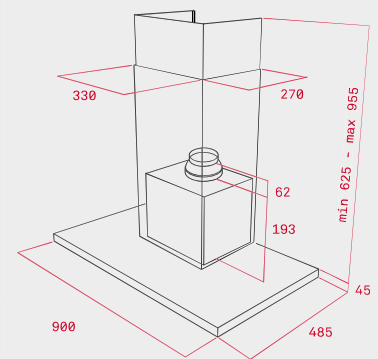
DVT 985



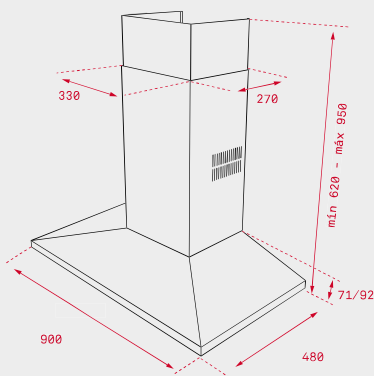
DLV 985



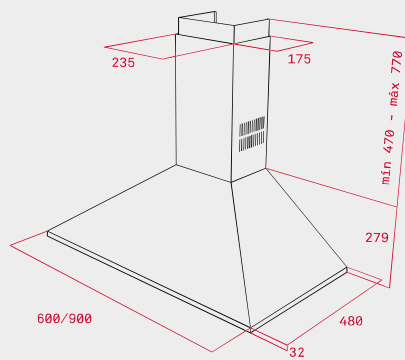
NC 980/680



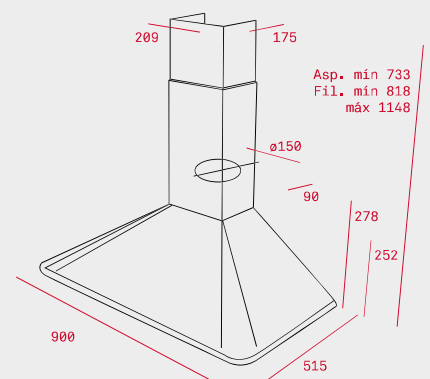
PERFECTA4 DLH 985T · DSH 985 · DSJ 980



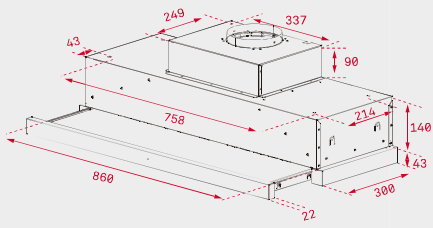
TIKAL DSS 985



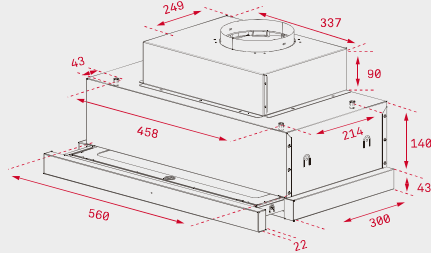
DBB 90 HP · DBB 90/60



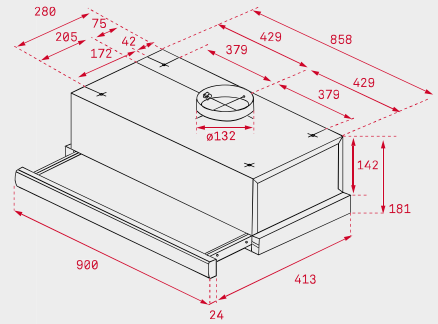
DOS 90.1



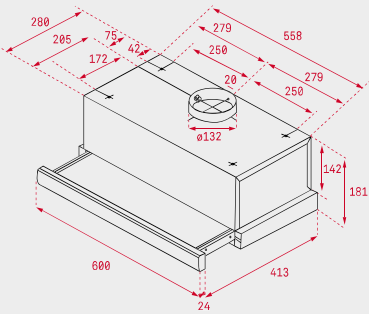
CNL 9610



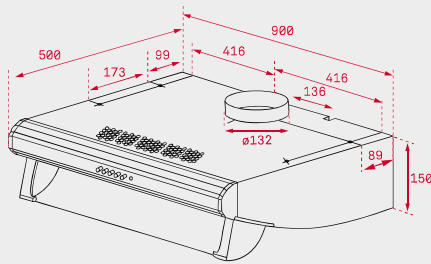
CNL 6610



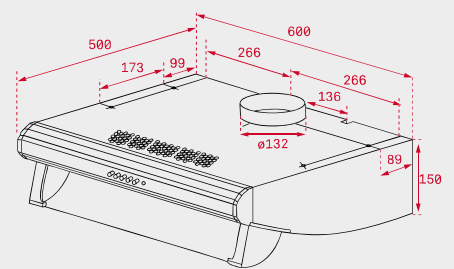
TL 9310



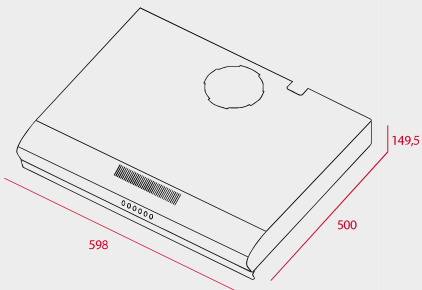
TL 6310



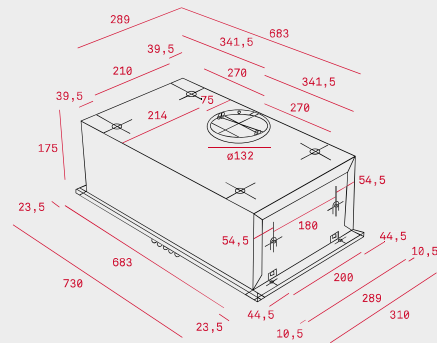
C 9310



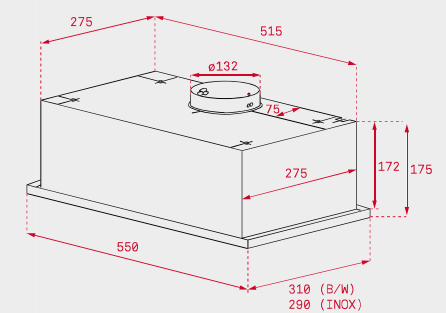
C 6310



CL 610



GFH 73



GFG 2