



# ML 822 BIS L WHITE Built-in Microwave with ceramic base + Grill



Electronic Door  
Opening



Direct Access  
Menu



Defrost By  
Time



Defrost By  
Weight



22 L



Ceramic base

## DESCRIPTION

Built-in Microwave with ceramic base + Grill

## LIFE STYLE

Maestro

## COLOURS



## REFERENCE

REF. 40584302  
EAN. 8421152145517

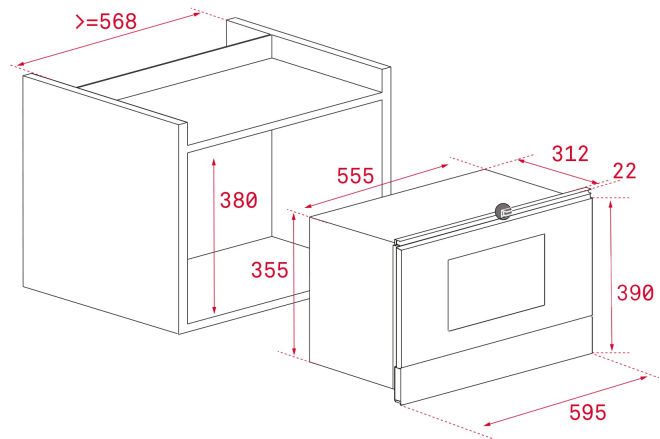


**TEKA**

**ML 822 BIS L WHITE**

**FEATURES**

Ceramic base microwave + grill  
Electronic glass control panel with digital clock  
Dropdown grill, 1.200W  
5 power levels, 850 W out  
Stainless steel cavity  
Ceramic base with uniform heating  
Forced tangential ventilation  
Program selector and electronic functions  
Quick start 30''  
Defrost (5 programs)  
9 direct access menus  
Browning plate and reinforced grill grid



## DIMENSIONS

**Product height (mm):** 390  
**Product width (mm):** 595  
**Product depth (mm):** 334  
**Product length (mm):**  
**Net weight (Kg):** 22

## TECH SPECS

### PARTICULAR CHARACTERISTICS

**Number of cavities:** 1  
**Number of cooking functions:** 3  
**Number of memories:** No  
**Grill function:** Yes  
**Minute Minder:** Yes  
**Drop-down grill:** Yes  
**Number of guide levels (lower cavity):** 0  
**Forced refrigeration tangential 1 speed:** Yes  
**Microwave function:** Yes  
**Number of power levels:** 5  
**Minute Quick Start:** Yes  
**Seconds Quick Start:** Yes  
**Tangential ventilation:** Yes

### ELECTRIC CONNECTION

**Maximum Nominal Power (W):** 2500  
**Frequency (Hz):** 50  
**Power rate (V):** 220/240  
**Cable Connection Length (cm):** 110  
**Plug:** Yes  
**Inside light Consumption (W):** 20

**ENERGY CONSUMPTION****Energy consumption per cycle in conventional mode (kWh):**

0.36

**Grill (W):** 1200**Maxi Grill (W):** 1200**SECURITY SYSTEM****Automatic disconnection when opening the door:** Yes**Panel blocking system:** Yes**Children safety block option:** Yes**Grill protection:** Yes**Safety Thermostat:** Yes**ACCESSORIES****Glass Tray:** 0**ENERGY EFFICIENCY****Energy Efficiency Index (EEI):** A

