



# DVU 590 90cm Vertical Hood with Touch Control panel and remote control



Remote Control



LED



Stop Delay  
Timer

**DESCRIPTION**

90cm Vertical Hood with Touch Control panel and remote control

**LIFE STYLE**

Maestro

**COLOURS**



**REFERENCE**

REF. 40491305  
EAN. 8421152127261

**FEATURES**

Vertical decorative hood  
Touch control panel  
Remote control  
Operating pilot light  
Conventional aspiration  
3 speeds  
Exhaust capacities:  
Free Outlet (m<sup>3</sup>/h): 553  
Max. (m<sup>3</sup>/h): 538  
Min. (m<sup>3</sup>/h): 443  
Noise (LwA) Max Speed 59 dB  
Noise (LwA) Min Speed 50 dB  
LED illumination  
2 aluminium filters  
Stop delay timer

## DIMENSIONS

**Product height (mm):**

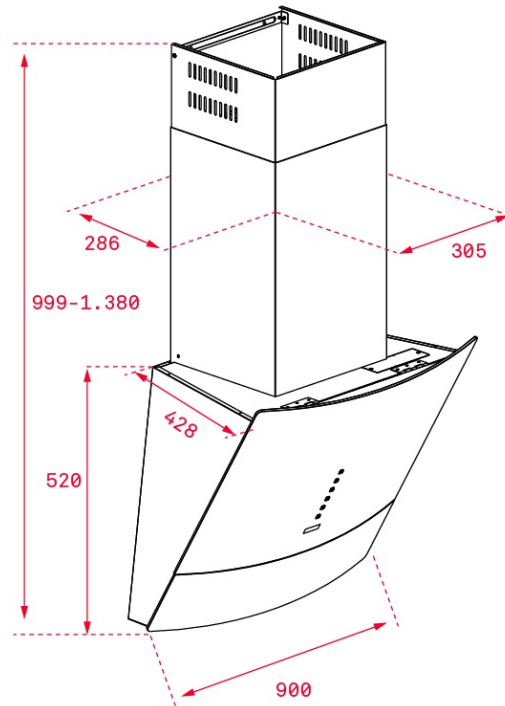
1001~1391

**Product width (mm):** 900

**Product depth (mm):** 432

**Product length (mm):**

**Net weight (Kg):** 31



## TECH SPECS

### PARTICULAR CHARACTERISTICS

**Type of hood:** Vertical

**Style:** Decoratives

**Certificates:** CE

**Type of inner light:** LED

**Inside light Consumption (W):** 2

**Plug type:** EU

**Power rate (V):** 220-240

**Frequency (Hz):** 50

**Total hood power (W):** 204

**Number of motors:** 1

**Motor power (W):** 200

**Exhaust Capacity - Free Outlet (m3/h):** 553

**EU REGULATION NO. 65/2014  
&66/2104**

**Annual energy consumption AEC kWh/annum (kWh):** 89,0

**Energy Efficiency Class:** D

**Fluid Dynamic Efficiency (FDEhood):** 15,3

**Fluid Dynamic Efficiency class:** D

**Light Efficiency (Lehood) lux/Watt:** 33,0

**Lighting Efficiency class:** A

**Grease Filtering Efficiency class:** D

**Air flow (Qmin) m3/h:** 443

**Air flow (Qmax):** 538

**Noise (LwA) Min Speed (dB):** 50

**Noise (LwA) Max Speed (dB):** 59

**Standby Power (Ps) W:** 0,36

**Energy Efficiency Index (EEI):** 86,2

**Time increase factor:** 1,5

**Electric power input at best efficiency point (Wbep) W:** 150,8

**Nominal power of the lighting system (WL) W:** 4

**Average illumination of the lighting system on the cooking surface (Emiddle) Lux:** 131

## **ACCESSORIES**

**Anti Return valve:** Yes

**Outlet reduction:** Yes

**Optional Charcoal Filter:** D6C

**Charcoal filter description:** CHARCOAL FILTER D6C

## **MODELS**

**Number of filters:** 2

**Filter description:** Aluminium

**Control panel:** Soft touch with remote control (Auto Opening)

**Remote control:** Yes

**Stop delay timer:** Yes

**Number of speeds:** 3



DVU 590

ENERGY LABEL

