



TKS1 710 C 7kg Free Standing Dryer with capacity with 3 drying temperatures



Quick Cycle



Washing capacity: 7Kg

DESCRIPTION

7kg Free Standing Dryer with capacity with 3 drying temperatures

LIFE STYLE

Total

COLOURS

REFERENCE

REF. 40854000
EAN. 8421152126608

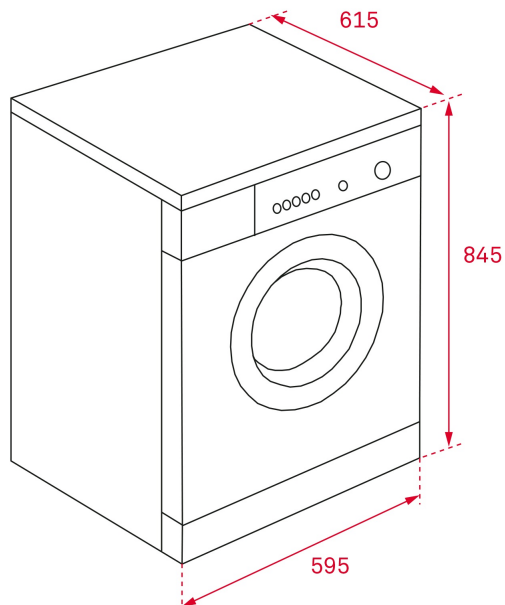


TEKA

TKS1 710 C

FEATURES

Free standing dryer
Condenser dryer
12 programmes
Drying capacity : 7 kg
Electronic control panel with display
Delay timer 1-19h
3 drying temperatures
Humidity sensor
Easy ironing program
Delicate clothing program clothing program
Automatic ventilation program
Bi-direction rotation
Remaining time indicator
Drum inner light
Energy class : B

TEKA**TKS1 710 C**

DIMENSIONS

Product height (mm): 845
Product width (mm): 595
Product depth (mm): 615
Product length (mm):
Net weight (Kg): 43

TECH SPECS

PRODUCT SHEET

Type of load: Front
Type of installation: Free standing
Drying capacity (Kgs): 7
Energy Efficiency Class: B
Condensation efficiency: B
Energy consumption per drying cycle (Full load) (kWh): 4.24
Energy consumption (kWh/year): 504
Duration of drying cycle (Full load) (minutes): 128
Automatic (sensor drying): Yes
Certificates: CE, VDE

POWER SUPPLY

Frequency (Hz): 50
Power rate (V): 220-240
Maximum Nominal Power (W): 2700
Nominal power motor (W): 200
Power of heating element (W): 2500

PARTICULAR CHARACTERISTICS

Glass door diameter (cms): 45,5
Number of programs: 12

CONTROL INDICATOR LIGHTS

Control panel: Electronic
Electronic washing management: Yes
Child lock: Yes
Bidirectional rotation: Yes
Drum light: Yes
Drum: Galvanized

SPECIAL FUNCTIONS

Selected program indicator: Yes
Remaining time: Yes
Drying: Yes
Dryer timer: Yes
Full water tank indicator: Yes

EQUIPMENT

Fast program: Yes
Fast program (minutes): 65
Delayed Timer (h): 1-24
Delicate fabrics: Yes
Easy ironing/anti crease: Yes

Adjustable Feet Back: Yes
Adjustable feet front: Yes



TKS1 710 C

ENERGY LABEL

The image shows a standard EU energy label for a washing machine. It features a color-coded scale from A+++ (green) to D (red), with the machine's rating 'B' highlighted in a black box. Key performance indicators are listed in a grid: annual energy consumption of 504 kWh/annum, a cycle time of 128 minutes, a load capacity of 7.0 kg, and a noise level of 69 dB. The label also includes the TEKA brand name, the model number TKS1 710 C, and the date 392/2012. A small note at the bottom right explains the noise level measurement in different programs.

ENERGIA - ΕΝΕΡΓΙΑ - ΕΝΕΡΓΕΙΑ ENERGIJA - ENERGIY - ENERGIJE ENERGI	504 kWh/annum	
128 min/cycle*	7,0 kg	69 dB
ABCDEFG	* шумът - цикъл - portion - цикъл шумозапис - цикл - топката ошлѣта - цикл - цикл - цикл цикл - цикл - цикл - цикл program - tortkomling	

392/2012