



**SPA TKD 1490** 9kg A+++ Free Standing washing machine with inverter motor



A Energy Class



Hand Wash



Quick Cycle



Washing capacity: 9Kg

**DESCRIPTION**

9kg A+++ Free Standing washing machine with inverter motor

**LIFE STYLE**

Maestro

**COLOURS**

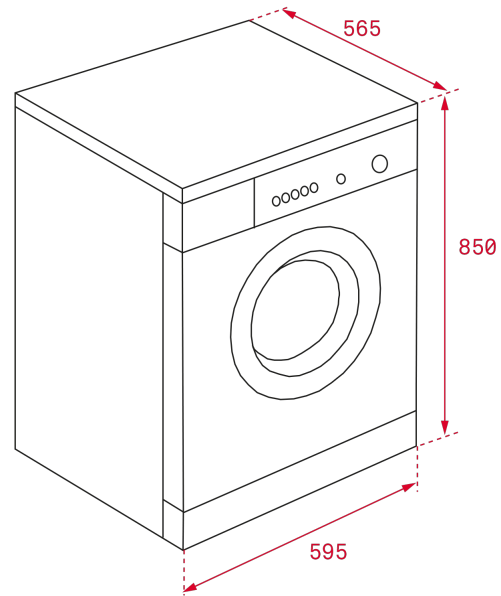


**REFERENCE**

REF. 40874451  
EAN. 8421152146422

**FEATURES**

Free standing washing machine  
Washing capacity: 9 Kg  
Inverter Motor  
Washing Programs: 16  
Electronic control panel  
Digital display LCD  
Maximum spin speed : 1400 rpm  
Electronic washing management (Fuzzy Logic)  
Special Programs Wool, baby care and 15'  
Fast program 15 minutes  
32 cm wide crystal door  
Function buttons for: temperature, spinning speed, remaining time and special functions  
Automatic water regulation  
Delay timer 1-24h  
Balance control system  
Locking system in case of lack of water or electricity  
Foam control system  
Energy class: A+++/B  
Energy consumption: 175 kWh/year  
Water consumption: 10.000 liters/year



## DIMENSIONS

**Product height (mm):** 850  
**Product width (mm):** 595  
**Product depth (mm):** 565  
**Product length (mm):**  
**Net weight (Kg):** 71

## TECH SPECS

### PRODUCT SHEET

**Type of load:** Front  
**Type of installation:** Free standing  
**Washing capacity (Kgs):** 9  
**Energy Efficiency Class:** A+++  
**Spinning efficiency:** B  
**Energy consumption (kWh/year):** 218  
**Water consumption (litres/year):** 14000  
**Maximum spinning speed (RPM):** 1400  
**Certificates:** CE + Reach

### POWER SUPPLY

**Frequency (Hz):** 50  
**Power rate (V):** 220-240  
**Maximum Nominal Power (W):** 2050  
**Nominal power motor (W):** 500  
**Power of heating element (W):** 1800

### PARTICULAR CHARACTERISTICS

**Stainless Steel Drum:** Yes  
**Glass door diameter (cms):** 32  
**Number of programs:** 16

**CONTROL INDICATOR LIGHTS**

**Number Of Washing Temperatures:** 6

**Control panel:** Electronic

**Electronic washing management:** Yes

**Child lock:** Yes

**Auto lock door:** Yes

**Cancel spin cycle button:** Yes

**Selected program indicator:** Yes

**Remaining time:** Yes

**SPECIAL FUNCTIONS**

**Fast program:** Yes

**Fast program (minutes):** 15

**Economic program:** Yes

**Intense program:** Yes

**Delayed Timer (h):** 1-24

**Extra rinse:** Yes

**Delicate fabrics:** Yes

**Quick Wash:** Yes

**EQUIPMENT**

**Adjustable Feet Back:** Yes

**Adjustable feet front:** Yes



SPA TKD 1490

ENERGY LABEL

