



# HLC 8400 45cm A+ Urban Colors Edition SurroundTemp Compact Multifunction Oven



44L



A Energy Class



Plus Extension  
Telescopic  
Guide



HydroClean



SurroundTemp

## DESCRIPTION

45cm A+ Urban Colors Edition SurroundTemp Compact Multifunction Oven

## LIFE STYLE

Maestro

## COLOURS



## REFERENCE

REF. 111130006  
EAN. 8434778008456

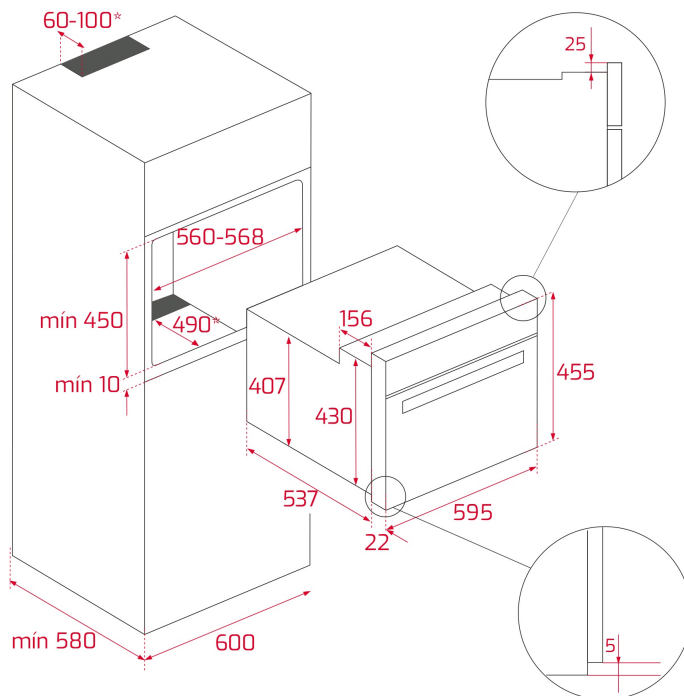


TEKA

HLC 8400

## FEATURES

Urban Colors Edition  
Multifunction SurroundTemp  
HydroClean® PRO cleaning system  
A+ Energy class: up to 20% less consumption  
Esmalte Slippery  
Capacity: 45/44 litres (gross/net)  
Touch Control panel with LED display  
9 cooking functions  
Express preheating function  
ECO and defrosting functions  
Children safety block  
Triple removable glazed door  
Full glass inner door  
Drop down maxi grill  
1 telescopic guide easy slide  
Anti-tip deep tray and reinforced grid  
Dynamic ventilation  
Optional Muticook and cast aluminium tray



## DIMENSIONS

**Product height (mm):** 455

**Product width (mm):** 595

**Product depth (mm):** 537+22

**Product length (mm):**

**Net weight (Kg):** 25

## TECH SPECS

### PARTICULAR CHARACTERISTICS

**Certificates:** N / CE / CCA / CB / JAS-ANZ/GMARK/SASO

**Number of cavities:** 1

**Type of inner light:** Halogen

**Inside light position:** Right top corner

**Enamelled cavity:** Yes

**Function selector:** 11+0

**Number of cooking functions:** 9

**Top function:** Yes

**MaxiGrill function:** Yes

**Bottom function:** Yes

**Turbo function:** Yes

**ECO function:** Yes

**Mechanical quick heating:** Yes

**Touch Control Programmer:** Yes

**Knobs type:** MMX FIX KNOB knurling

**Removable chromed tray guides:** Yes

**Number of guide levels:** 3

**Easy slide telescopic guides:** Yes

**Drop-down grill:** Yes

**Maximum Nominal Power (W):** 3015  
**Frequency (Hz):** 50/60  
**Power rate (V):** 220-240  
**Cable Connection Length (cm):** 110  
**Inside light Consumption (W):** 25

## **ENERGY CONSUMPTION**

**Energy consumption per cycle in conventional mode (kWh):**  
0.72  
**Energy consumption per cycle in fan-forced convection mode (kWh):** 0,59  
**Bottom Heating Element (W):** 1150  
**Grill (W):** 1400  
**Maxi Grill (W):** 2500  
**Traditional (W):** 2550  
**Turbo (W):** 1800  
**Multifunction Turbo (W):** 22  
**Cooling Fan Motor (W):** 18

## **SECURITY SYSTEM**

**Panel blocking system:** Yes  
**Grill protection:** Yes  
**Anti-tip tray system:** Yes  
**Safety Thermostat:** Yes  
**Full glazed doors:** 3

## **CLEANING SYSTEM**

**Crystal Clean Enamel (Slippery):** Yes  
**Hydroclean PRO:** Yes

## **ACCESSORIES**

**Deep Tray (50 mm):** Yes  
**Reinforced grid:** Yes

## **ENERGY EFFICIENCY**

**Energy Efficiency Class:** A+  
**Energy Efficiency Index (EEI):** 80,8



HLC 8400

ENERGY LABEL

TEKA HLC 8400

A+++  
A++  
A+  
A  
B  
C  
D

A+

44L

0.72 kWh/cycle\*  
0.59 kWh/cycle\*

\* Unveň - cyklus - porton - zvlášť program - dno - bábka - chlárka - cikva - cikva - cikva - cyklus - cykl - dno - program - cykl  
65/2014