



FS 502 4VE 50cm Free Standing Cooker with 4 Butane burners



DESCRIPTION

50cm Free Standing Cooker with 4 Butane burners

LIFE STYLE

Easy

COLOURS



REFERENCE

REF. 40297957
EAN. 8421152156216

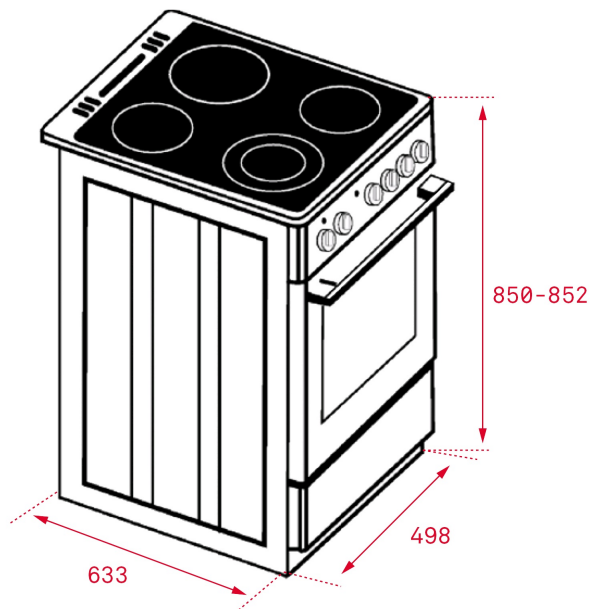


TEKA

FS 502 4VE

FEATURES

Free-standing electric cooker - Width: 50 cm
Enameled countertop surface in white color
Metallic controls, with ergonomic design and easy viewing
Adjustable height
Storage drawer under the oven
Ceramic hob with 4 zones (2 Ø 180 mm / 1,700 W + 2 Ø 140 mm / 1,200 W)
Electric oven with grill
3 cooking functions
Capacity: 48 liters
Two removable door glasses
Enamelled pastry tray and grill
Integrated gas evacuation system
Class A energy classification



DIMENSIONS

Product height (mm): 852
Product width (mm): 498
Product depth (mm): 633
Product length (mm):
Net weight (Kg): 31

TECH SPECS

FINISH

Surface type: Vitroceramic

ELECTRIC CONNECTION

Maximum Nominal Power (W): 7615
Frequency (Hz): 50
Power rate (V): 380-415 3N
Cable Connection Length (cm): 150
Plug: Yes
Inside light Consumption (W): 15

ENERGY CONSUMPTION

Bottom Heating Element (W): 1000
Grill (W): 800
Traditional (W): 1800
Maximum nominal power (W) (Oven): 1800

ENERGY EFFICIENCY

Energy Efficiency Class: A

