



HLB 8600 ST A+ Multifunction Oven with 20 recipes



70L



A Energy Class



Plus Extension
Telescopic
Guide



HydroClean



SoftClose



SurroundTemp

DESCRIPTION

A+ Multifunction Oven with 20 recipes

LIFE STYLE

Maestro

COLOURS



REFERENCE

REF. 111000011
EAN. 8434778008272

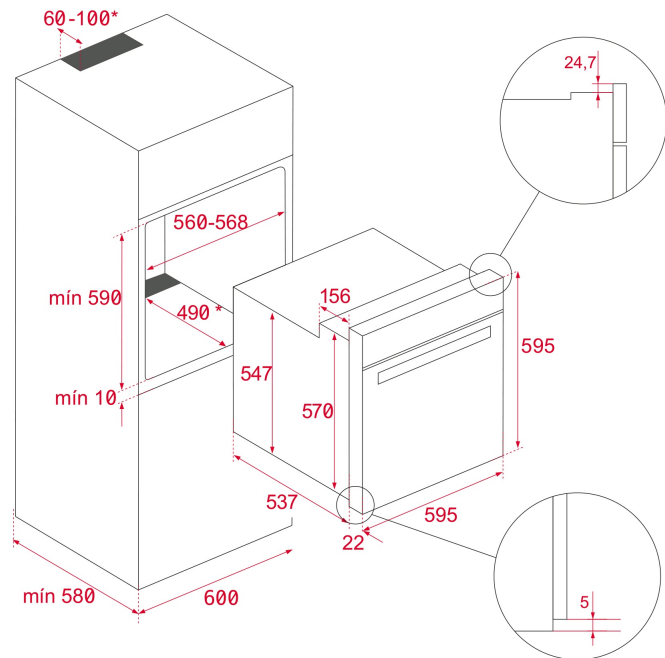


TEKA

HLB 8600 ST

FEATURES

Urban Colors Edition
Multifunction SurroundTemp - 12 Cooking functions
Teka HydroClean®PRO cleaning system
A+ Energy class: up to 20% less consumption
Capacity, gross/net: 71/70 litres
True colour TFT 4 display with digital timer
Personal cooking assistant (20 recipes)
SlowCook function: low temperature cooking
Automatic temperature and time suggestion for each function
Quick heating
Children safety block
Automatic disconnection security system
Triple glazed door
SoftClose system
1 Plus-Extension telescopic guide, 5 cooking levels
Deep enamelled tray and reinforced grid
Tangential ventilation



DIMENSIONS

Product height (mm): 595

Product width (mm): 595

Product depth (mm): 537+22

Product length (mm):

Net weight (Kg): 31

TECH SPECS

PARTICULAR CHARACTERISTICS

Certificates: N / CE / CCA / CB/GMARK/ JAS-ANZ/SASO

Number of cavities: 1

Type of inner light: Halogen

Inside light position: Right top corner

Enamelled cavity: Yes

Function selector: ELECTRONIC

Number of cooking functions: 12

Number of recipes: 20

Grill function: Yes

MaxiGrill function: Yes

Bottom function: Yes

Turbo function: Yes

ECO function: Yes

Ferment function: Yes

Automatic quick heating: Yes

Slow Cook: Yes

Touch Control Programmer: Yes

Knobs type: MMX FIX ROTATIVE

Removable chromed tray guides: Yes

Number of guide levels: 5

Easy slide telescopic guides: Yes

Drop-down grill: Yes

ELECTRIC CONNECTION

Forced refrigeration tangential 1 speed: Yes
SoftClose: Yes

Maximum Nominal Power (W): 3215
Frequency (Hz): 50/60
Power rate (V): 220-240
Cable Connection Length (cm): 150
Plug: Yes
Inside light Consumption (W): 25

ENERGY CONSUMPTION

Energy consumption per cycle in conventional mode (kWh):
0.83
Energy consumption per cycle in fan-forced convection mode (kWh): 0,68
Bottom Heating Element (W): 1150
Grill (W): 1400
Maxi Grill (W): 2500
Traditional (W): 2550
Turbo (W): 2000
Multifunction Turbo (W): 22
Cooling Fan Motor (W): 18

SECURITY SYSTEM

Automatic disconnection when opening the door: Yes
Panel blocking system: Yes
Children safety block option: Yes
Grill protection: Yes
Anti-tip tray system: Yes
Safety Thermostat: Yes
Full glazed doors: 3

CLEANING SYSTEM

Crystal Clean Enamel (Slippery): Yes
Hydroclean PRO: Yes

ACCESSORIES

Deep Tray (50 mm): Yes
Number of deep trays: 1
Steak tray: 0
Reinforced grid: Yes

ENERGY EFFICIENCY

Energy Efficiency Class: A+
Energy Efficiency Index (EEI): 81



HLB 8600 ST

ENERGY LABEL

The energy label for the TEKA HLB 8600 ST is a vertical rectangular sticker with a blue border. At the top left is the European Union flag. To its right, the word "ENERG" is written in large blue letters, with "енергия · ενεργεια" below it. Further right are four small circles containing the letters "Y IJA" and "IE IA". Below this header is the TEKA logo and the model number "HLB 8600". A central graphic shows a vertical scale of energy efficiency classes from A+++ (green) at the top to D (red) at the bottom. A black arrow points to the A+ class. To the left of the scale is a small icon of a washing machine. Below the scale are two boxes: the first shows a washing machine icon and "70L"; the second shows a washing machine icon and "0.83 kWh/cycle*". Below these boxes is a small line of text in multiple languages and the date "65/2014".