



# DVN 74030 TTC 70cm Vertical Decorative Hood with Touch control and Rim Extraction



LED



Perimeter extraction



Stop Delay Timer

**DESCRIPTION**

70cm Vertical Decorative Hood with Touch control and Rim Extraction

**LIFE STYLE**

Easy

**COLOURS**

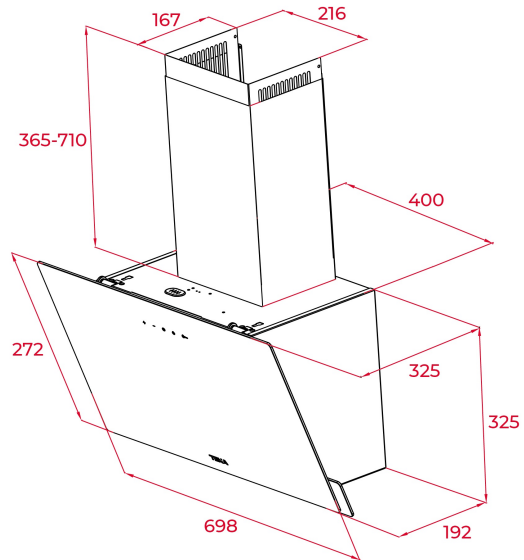


**REFERENCE**

REF. 112950007  
EAN. 8434778010794

**FEATURES**

Vertical decorative hood  
Energy efficiency class: C  
Extraction rim system "Contour"  
Touch control panel  
2 speeds + 1 intensive  
Exhaust capacities:  
Free Outlet (m<sup>3</sup>/h): 460  
Max. (m<sup>3</sup>/h): 410  
Min. (m<sup>3</sup>/h): 380  
Noise (LwA) Max Speed 66 dB  
Noise (LwA) Min Speed 65 dB  
LED illumination  
1 aluminium filter with 4 layers  
Stop delay timer  
Filter saturation indicator  
Recirculation function optional Set D11CTP  
Regenerative Charcoal filters optional



## DIMENSIONS

**Product height (mm):** 690/1035  
**Product width (mm):** 698  
**Product depth (mm):** 325  
**Product length (mm):**  
**Net weight (Kg):** 9,02

## TECH SPECS

### PARTICULAR CHARACTERISTICS

**Type of hood:** Vertical  
**Style:** Decoratives  
**Certificates:** CE; CB; EMC  
**Type of inner light:** LED  
**Inside light Consumption (W):** 1  
**Plug type:** schuko  
**Cable Connection Length (cm):** 160  
**Power rate (V):** 220/240  
**Frequency (Hz):** 50/60  
**Total hood power (W):** 142  
**Number of motors:** 2  
**Motor power (W):** 140  
**Exhaust Capacity - Free Outlet (m<sup>3</sup>/h):** 460

**EU REGULATION NO. 65/2014  
&66/2104**

**Annual energy consumption AEC kWh/annum (kWh):** 60,2  
**Energy Efficiency Class:** C  
**Fluid Dynamic Efficiency (FDEhood):** 11,05  
**Fluid Dynamic Efficiency class:** E  
**Light Efficiency (Lehood) lux/Watt:** 76,1  
**Lighting Efficiency class:** A

**Grease Filtering Efficiency class:** C  
**Air flow (Qmin) m3/h:** 380  
**Air flow (Qmax):** 410  
**Air flow (Qboost):** 425  
**Noise (LwA) Min Speed (dB):** 65  
**Noise (LwA) Max Speed (dB):** 66  
**Noise (LwA) boost speed (dB):** 67  
**Standby Power (Ps) W:** 0,49  
**Energy Efficiency Index (EEI):** C  
**Time increase factor:** 1,6  
**Electric power input at best efficiency point (Wbep) W:** 101  
**Nominal power of the lighting system (WL) W:** 2  
**Average illumination of the lighting system on the cooking surface (Emiddle) Lux:** 152

## **ACCESSORIES**

**Anti Return valve:** Yes  
**Outlet reduction:** Yes  
**Outlet extension:** no  
**Optional Charcoal Filter:** D9C  
**Charcoal filter description:** CHARCOAL FILTER D9C INTEGRA (set 2 u.)  
**Conventional recirculation kit (with tube cover):** 113290007

## **MODELS**

**Number of filters:** 1  
**Filter description:** Aluminum Filters  
**Opening system:** Panel Uphold Hinge  
**Control panel:** Touch Control  
**Stop delay timer:** Yes  
**Number of speeds:** 2+1



DVN 74030 TTC

ENERGY LABEL

