



C 6310 60cm Classical integrated hood with 3 speeds and 1 motor



LED

DESCRIPTION

60cm Classical integrated hood with 3 speeds and 1 motor

LIFE STYLE

Easy

COLOURS



REFERENCE

REF. 40461540
EAN. 8421152146057

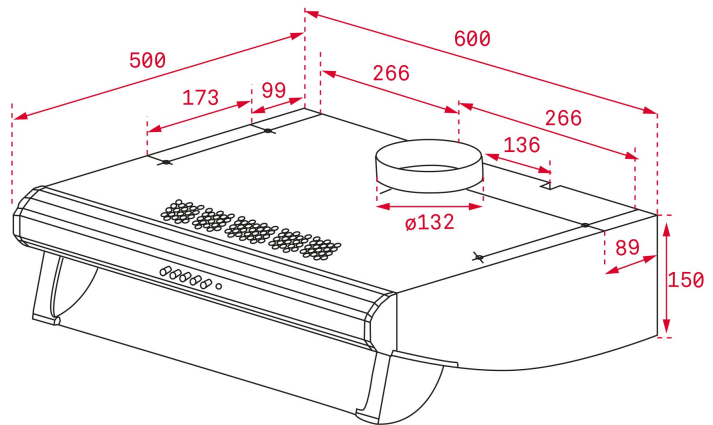


TEKA

C 6310

FEATURES

Classic hood
Push buttons control
3 speeds
Free Outlet exhaust capacity (m³/h): 254
Max speed exhaust capacity (m³/h): 235
Min speed exhaust capacity (m³/h): 124
Max speed sound level (dBA): 66
Min speed sound level (dBA): 49
2 LED lamps
2 aluminium filters
Operating pilot light
Anti-return valve included
Optional Charcoal Filter: C2R



DIMENSIONS

Product height (mm): 150
Product width (mm): 600
Product depth (mm): 500
Product length (mm):
Net weight (Kg): 6,65

TECH SPECS

PARTICULAR CHARACTERISTICS

Certificates: CE; CB; Rohs
Ø Outlet (mm): 120
Type of inner light: LED
Inside light Consumption (W): 6
Plug type: European plug
Power rate (V): 230
Frequency (Hz): 50
Total hood power (W): 120
Number of motors: 1
Motor power (W): 108
Air flow (Qmin) m³/h: 128
Air flow (Qmax): 226

ACCESSORIES

Anti Return valve: Yes
Outlet extension: Yes
Optional Charcoal Filter: C2R
Integration Frontal panel Code: No
Conventional recirculation kit (opt) - w/tube cover: No

MODELS

Number of filters: 2

Filter description: Aluminum

Control panel: Mechanical push buttons

Number of speeds: 3

Fingerprint proof front panel: Yes



C 6310

ENERGY LABEL

