



TL 9310 90cm Pull-out Hood with doble motor turbine and 2 speeds



LED

DESCRIPTION

90cm Pull-out Hood with doble motor turbine and 2 speeds

LIFE STYLE

Easy

COLOURS



REFERENCE

REF. 40474390
EAN. 8421152146002

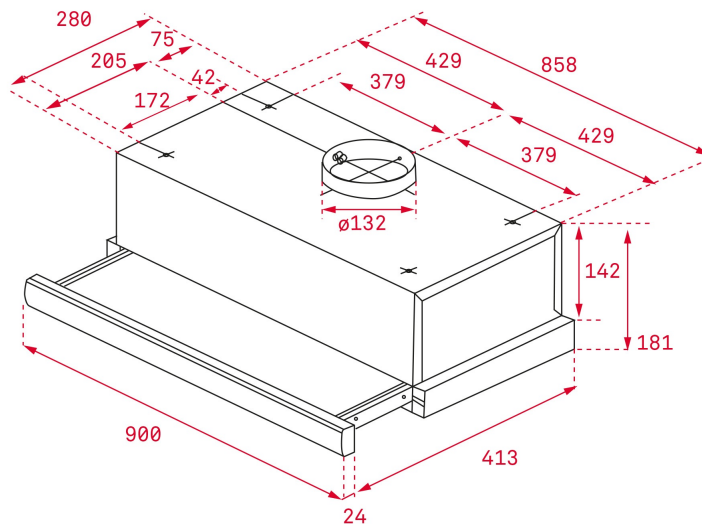


TEKA

TL 9310

FEATURES

Pull-out hood
Mechanical control
2 speeds
Free Outlet exhaust capacity (m³/h): 366
Max speed exhaust capacity (m³/h): 332
Min speed exhaust capacity (m³/h): 233
Max speed sound level (dBA): 54
Min speed sound level (dBA): 45
2 LED lamps
4 aluminium filters
Exchangeable front panel
Anti-return valve included
Optional Charcoal Filter: CNL 1C



DIMENSIONS

Product height (mm): 181

Product width (mm): 900

Product depth (mm): 304-437

Product length (mm):

Net weight (Kg): 9,1

TECH SPECS

PARTICULAR CHARACTERISTICS

Certificates: CE; CB; Rohs
Ø Outlet (mm): 120
Type of inner light: LED
Inside light Consumption (W): 6
Plug type: European plug
Power rate (V): 230
Frequency (Hz): 50
Total hood power (W): 146
Number of motors: 2
Motor power (W): 130

ACCESSORIES

Anti Return valve: Yes
Outlet extension: no
Optional Charcoal Filter: CNL 1C

MODELS

Number of filters: 2
Filter description: Aluminium
Control panel: Mechanical control
Automatic lighting: Yes

Number of speeds: 2



TL 9310

ENERGY LABEL

