



DQ2 985 Glass Wing Decorative Hood of corner installation with ECOPOWER motor



LED



Stop Delay
Timer

DESCRIPTION

Glass Wing Decorative Hood of corner installation with ECOPOWER motor

LIFE STYLE

Maestro

COLOURS

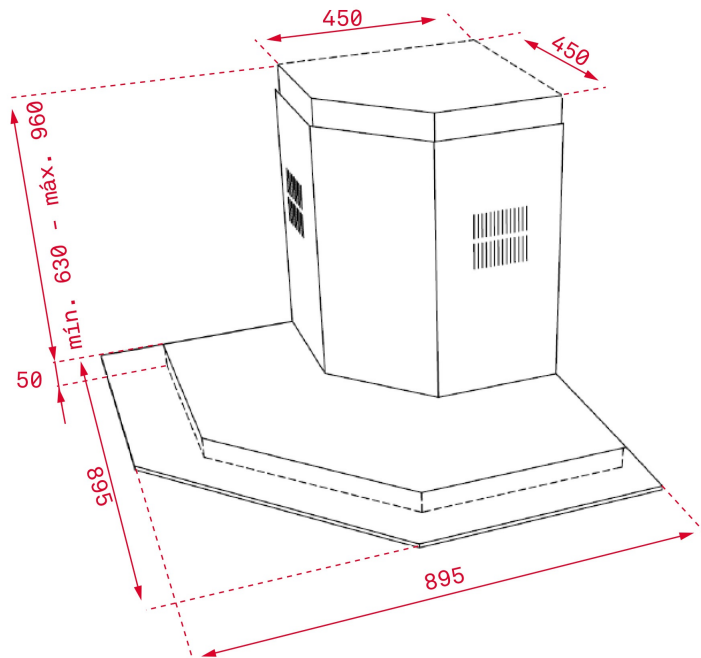


REFERENCE

REF. 40477002
EAN. 8421152145845

FEATURES

Decorative glass wing hood
Electronic control with display
3 speeds + 1 intensive
Free Outlet exhaust capacity (m3/h): 920
Intensive speed exhaust capacity (m3/h): 807
Max speed exhaust capacity (m3/h): 631
Min speed exhaust capacity (m3/h): 315
Intensive speed sound level (dBA): 60
Max speed sound level (dBA): 55
Min speed sound level (dBA): 42
3 LED lamps
2 Stainless Steel filters
Stop delay timer
Filter saturation indicator
Easy-Clean inside panel
Operating pilot light
Anti-return valve included
Outlet reduction included
Optional recirculation kit with tube cover installation: SET 1/L
Optional Charcoal Filter: D4C



DIMENSIONS

Product height (mm): 680-1010

Product width (mm): 895

Product depth (mm): 895

Product length (mm):

Net weight (Kg): 26,7

TECH SPECS

PARTICULAR CHARACTERISTICS

Certificates: CE; CB; Rohs
Ø Outlet (mm): 150
Type of inner light: LED
Inside light Consumption (W): 3
Plug type: European plug
Power rate (V): 220-240
Frequency (Hz): 50
Total hood power (W): 289
Number of motors: 1
Motor power (W): 280
Air flow (Qmin) m³/h: 315
Air flow (Qmax): 631
Air flow (Qboost): 807

ACCESSORIES

Anti Return valve: Yes
Outlet reduction: Yes
Optional Charcoal Filter: D4C
Conventional recirculation kit (opt) - w/tube cover: SET 1/L

MODELS

Number of filters: 2

Filter description: Stainless Steel filters

Control panel: Electronic soft buttons with display

Stop delay timer: Yes

Filter saturation indicator: Yes

Easy-clean inside panel: Yes

Number of speeds: 3+1



DQ2 985

ENERGY LABEL

