



DSH 985 90cm Decorative Hood with Touch Control display and ECOPOWER motor



LED



Stop Delay
Timer

DESCRIPTION

90cm Decorative Hood with Touch Control display and ECOPOWER motor

LIFE STYLE

Total

COLOURS

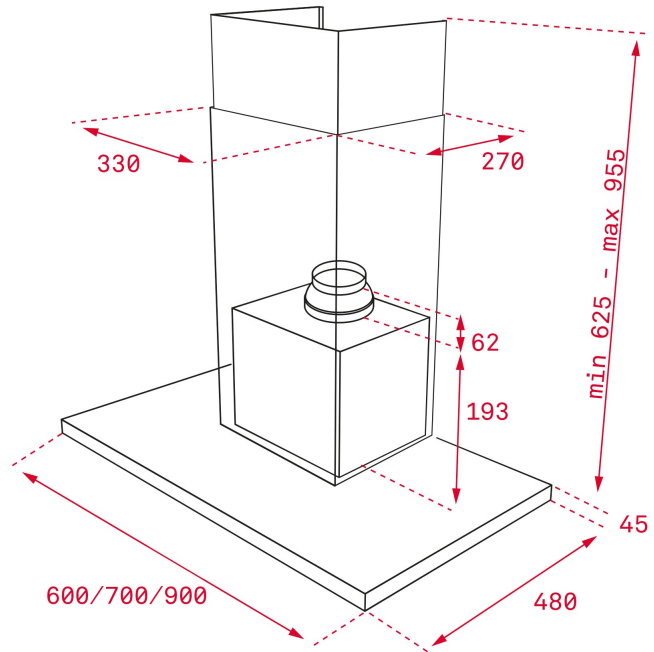


REFERENCE

REF. 40484202
EAN. 8421152157350

FEATURES

Decorative horizontal hood
Electronic control with display
3 speeds + 1 intensive
Free Outlet exhaust capacity (m³/h): 920
Intensive speed exhaust capacity (m³/h): 740
Max speed exhaust capacity (m³/h): 586
Min speed exhaust capacity (m³/h): 306
Intensive speed sound level (dBA): 60
Max speed sound level (dBA): 56
Min speed sound level (dBA): 42
1 LED lamp
3 Stainless Steel filters
Stop delay timer
Filer saturation indicator
Operating pilot light
Anti-return valve included
Outlet reduction included



DIMENSIONS

Product height (mm): 670-1000

Product width (mm): 900

Product depth (mm): 480

Product length (mm):

Net weight (Kg): 15,33

TECH SPECS

PARTICULAR CHARACTERISTICS

Certificates: CE; CB; Rohs
Ø Outlet (mm): 150
Type of inner light: LED
Inside light Consumption (W): 6
Plug type: Schuko plug
Power rate (V): 220240
Frequency (Hz): 50
Total hood power (W): 286
Number of motors: 1
Motor power (W): 280
Air flow (Qmin) m³/h: 305
Air flow (Qmax): 586
Air flow (Qboost): 735

ACCESSORIES

Anti Return valve: Yes
Outlet reduction: Yes
Outlet extension: No
Optional Charcoal Filter: C1RTK
Regenerative charcoal filter: R1RTK
Conventional recirculation kit (opt) - w/tube cover: CFH 15200

L3C

Regenerative recirculation kit (opt) - w/tube cover: RFH 15200

L3C

MODELS

Number of filters: 3

Filter description: Stainless Steel filters

Control panel: Electronic soft buttons with display

Stop delay timer: Yes

Filter saturation indicator: Yes

Number of speeds: 3+1



DSH 985

ENERGY LABEL

