



# DHI 90 Built-in/Free Installation Decorative Hood with double turbine



LED



Stop Delay  
Timer

**DESCRIPTION**

Built-in/Free Installation Decorative Hood with double turbine

**LIFE STYLE**

Maestro

**COLOURS**

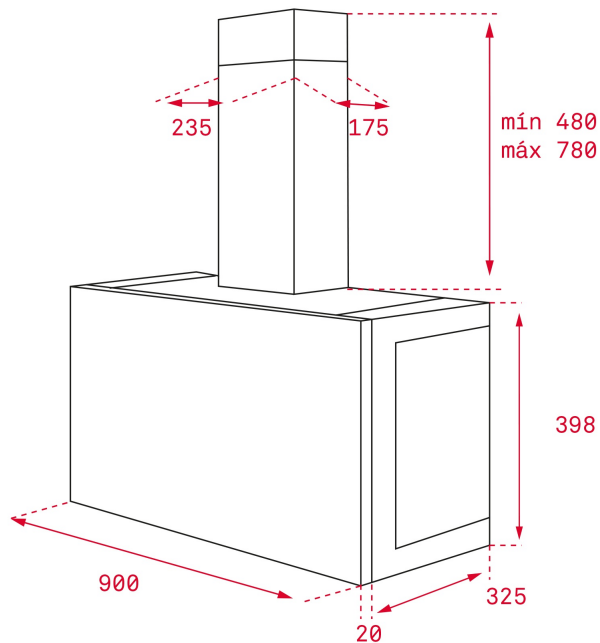


**REFERENCE**

REF. 40487400  
EAN. 8421152098363

**FEATURES**

Built-in hood  
Electronic control  
3 speeds + 1 intensive  
Free Outlet exhaust capacity (m<sup>3</sup>/h): 850  
Intensive speed sound level (dBA): 650  
Max speed exhaust capacity (m<sup>3</sup>/h): 400  
Min speed exhaust capacity (m<sup>3</sup>/h): 295  
Intensive speed sound level (dBA): 68  
Max speed sound level (dBA): 57  
Min speed sound level (dBA): 48  
3 LED lamps  
2 Stainless Steel filter  
Stop delay timer  
Easy-Clean inside panel  
Operating pilot light  
Anti-return valve included  
Outlet reduction included  
Optional recirculation kit with tube cover installation: SET 1S  
Optional Charcoal Filter: D4C



## DIMENSIONS

**Product height (mm):** 445  
**Product width (mm):** 900  
**Product depth (mm):** 345  
**Product length (mm):**  
**Net weight (Kg):** 16

## TECH SPECS

### PARTICULAR CHARACTERISTICS

**Certificates:** CE; CB; Rohs  
**Ø Outlet (mm):** 150  
**Type of inner light:** LED  
**Inside light Consumption (W):** 3  
**Plug type:** European plug  
**Power rate (V):** 220-240  
**Frequency (Hz):** 50/60  
**Total hood power (W):** 239  
**Number of motors:** 1  
**Motor power (W):** 230  
**Air flow (Qmin) m<sup>3</sup>/h:** 295  
**Air flow (Qmax):** 400  
**Air flow (Qboost):** 650

### ACCESSORIES

**Anti Return valve:** Yes  
**Outlet reduction:** Yes  
**Outlet extension:** No  
**Optional Charcoal Filter:** D4C  
**Integration Frontal panel Code:** 40490400  
**Conventional recirculation kit (opt) - w/tube cover:** SET 1S

## **MODELS**

**Number of filters:** 2

**Filter description:** Stainless Steel filters

**Control panel:** Electronic soft buttons

**Stop delay timer:** Yes

**Easy-clean inside panel:** Yes

**Number of speeds:** 3+1



DHI 90

ENERGY LABEL

The energy label for the TEKA DHI-90 PANELABLE VR01 unit is as follows:

- Model:** DHI-90
- Brand:** TEKA
- Energy Class:** D (indicated by a black arrow pointing to the 'D' bar on the scale)
- Energy Consumption:** 130 kWh/annum
- Energy Efficiency Index (EEI):** 130
- Sound Power Level (SWL):** 57 dB
- Energy Class Legend:** A (green), B (light green), C (yellow-green), D (yellow), E (orange), F (red-orange), G (red)
- Icons:** Fan, Light bulb, Water droplets, and Sound waves.
- Regulation:** 65/2014