



# MWE 225 FI 20L Built-in Microwave + Grill



Defrost By  
Time



Defrost By  
Weight



Direct Access  
Menu



20L

## DESCRIPTION

20L Built-in Microwave + Grill

## LIFE STYLE

Total

## COLOURS



## REFERENCE

REF. 40581515  
EAN. 8421152127247

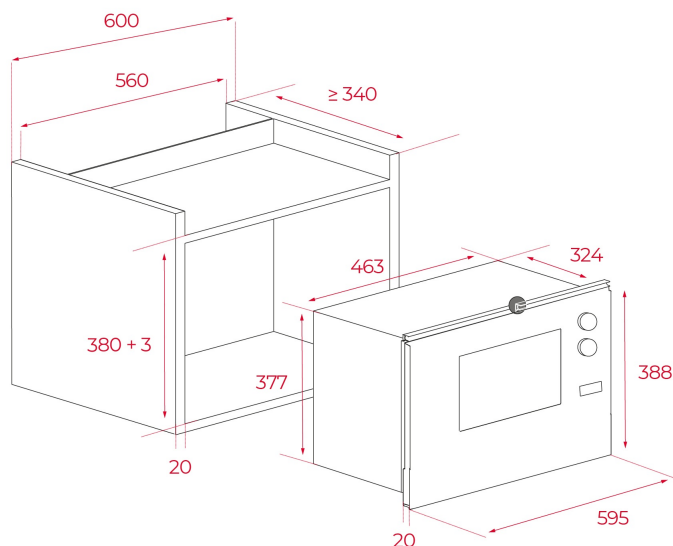


**TEKA**

**MWE 225 FI**

**FEATURES**

Built-in Microwave + Grill  
3 cooking functions  
8 direct access menus  
5 power levels, 1250 W  
Grill power: 1000 W  
Defrost by time and weight  
Touch control display with knobs and minute minder  
Double glazed door with right opening  
Children safety lock  
LED inner light  
Stainless steel (fingerprint proof)  
Quick start  
Capacity (gross/net): 20,31 / 20 litres  
Stainless steel cavity



## DIMENSIONS

**Product height (mm):** 340

**Product width (mm):** 463

**Product depth (mm):** 343

**Product length (mm):**

**Net weight (Kg):** 15,0

## TECH SPECS

### PARTICULAR CHARACTERISITICS

**Certificates:** GS / EMC

**Number of cooking functions:** 3

**Grill function:** Yes

**Minute Minder:** Yes

**Number of guide levels (lower cavity):** 0

**Microwave function:** Yes

**Microwave + Grill function:** Yes

**Number of power levels:** 5

**Seconds Quick Start:** Yes

### ELECTRIC CONNECTION

**Maximum Nominal Power (W):** 1250

**Frequency (Hz):** 50

**Power rate (V):** 230

**Inside light Consumption (W):** 20

### ENERGY CONSUMPTION

**Grill (W):** 1000

**Turbo (W):** 0

**SECURITY SYSTEM**

**Children safety block option:** Yes

**Safety Thermostat:** Yes

**CLEANING SYSTEM**

**Fingerprint proof stainless steel:** Yes

**ACCESSORIES**

**Glass Tray:** 1

**Crunch plate:** 0

