



# IZ 6320 60cm Induction Hob with 3 zones and MultiSlider Touch Control



Easy installation system



Autolock



MultiSlider, for independent control of each cooking zone



Power function



Power Plus function

## DESCRIPTION

60cm Induction Hob with 3 zones and MultiSlider Touch Control

## LIFE STYLE

Total

## COLORS



## REFERENCE

REF. 10210206  
EAN. 8421152155707

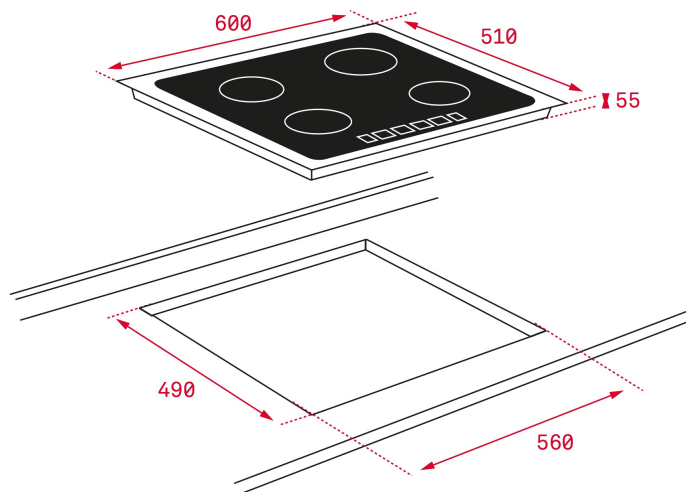


TEKA

IZ 6320

## FEATURES

Urban Colors Edition  
Induction hob  
Touch Control Multislider  
Cooking timer  
3 induction zones:  
1 induction Ø145 mm  
1 induction Ø210 mm  
1 induction Ø190/300 mm  
Special cooking functions: Quick Boiling, Melting, Simmering and KeepWarm  
Power Plus function  
Child lock  
Stop & Go function  
Silence mode  
Fast-Click easy installation  
Maximum nominal power: 7.400 W



## DIMENSIONS

**Product height (mm):** 50  
**Product width (mm):** 600  
**Product depth (mm):** 510  
**Product length (mm):**  
**Net weight (Kg):** 10,44

## TECH SPECS

### FITTING MEASURES

**Built-in Width (mm):** 560  
**Built-in Depth (mm):** 490  
**Built-in height (mm):** 50

### PARTICULAR CHARACTERISTICS

**Number of electric power levels:** 9  
**Simmering:** Yes  
**Melting:** Yes  
**Keeping warm:** Yes  
**Power management function:** Yes

### ELECTRIC CONNECTION

**Frequency (Hz):** 50/60  
**Power rate (V):** 220-240  
**Cable Connection Length (cm):** 110  
**Maximum Nominal Power (W) (Electric hob):** 7400

### COOKING ZONES

**Cooking Zones:** 3  
**Energy consumption for the whole hob, Wh/Kg:** 184

## **SECURITY SYSTEM**

**Residual heat indicator (Gas):** Yes

**Residual heat indicator (Electric hob):** Yes

**Automatic safety disconnection (Auto Lock) (Electric hob):** Yes

**Safety Blocking:** Yes

**Child lock:** Yes

## **FINISH**

**Surface finishing:** Front bevelled glass

**Easy installation system:** Yes

## **ACCESSORIES**

**Junction Kit:** Optional

