



CNL 6415 PLUS 60cm Pull-out Hood with ECOPOWER motor and and 5+1 speeds



LED lighting



Stop delay timer

DESCRIPTION

60cm Pull-out Hood with ECOPOWER motor and and 5+1 speeds

LIFE STYLE

Total

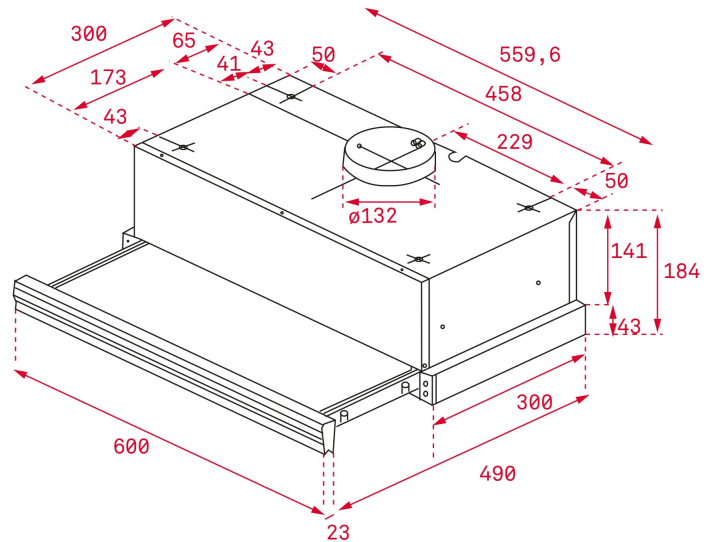
COLORS

REFERENCE

REF. 40436822
EAN. 8421152146224

FEATURES

Pull-out hood
EcoPower motor
Energy Efficiency class: A
Electronic control panel
5+1 speeds
Exhaust capacities:
Free Outlet, m³/h: 393
Qboost, m³/h: 385
Max., m³/h: 293
Min., m³/h: 141
Noise (LwA) Boost Speed, dB: 69
Noise (LwA) Max Speed, dB: 63,9
Noise (LwA) Min Speed, dB: 51,6
1 LED bar
2 stainless Steel filters MMX
Reinforced Black Glass upper structure
Automatic Lighting
Exchangeable Front Panel



DIMENSIONS

Product height (mm): 184
Product width (mm): 600
Product depth (mm): 300/490
Product length (mm):
Net weight (Kg): 7,26

TECH SPECS

PARTICULAR CHARACTERISTICS

Certificates: CE; CB; Rohs
Ø Outlet (mm): 120
Inside light Consumption (W): 19
Plug type: European plug
Power rate (V): 230
Frequency (Hz): 50
Total hood power (W): 119
Number of motors: 1
Motor power (W): 110

**EU REGULATION NO. 65/2014
&66/2104**

Annual energy consumption AEC kWh/annum (kWh): 30,3
Energy Efficiency Class: A
Fluid Dynamic Efficiency (FDEhood): 26,73846154
Fluid Dynamic Efficiency class: B
Light Efficiency (Lehood) lux/Watt: 43,3
Lighting Efficiency class: A
Grease Filtering Efficiency class: C
Air flow (Qmin) m3/h: 141
Air flow (Qmax): 293
Air flow (Qboost): 385

Noise (LwA) min. speed (dB): 51,6
Noise (LwA) max. speed (dB): 63,9
Noise (LwA) boost speed (dB): 69
Energy Efficiency Index (EEI): 54,10714286
Time increase factor: 1
Air pressure at best efficiency point(Pbep) Pa: 264
Electric power input at best efficiency point (Wbep) W: 65
Nominal power of the lighting system (WL) W: 9
Average illumination of the lighting system on the cooking surface (Emiddle) Lux: 390

ACCESSORIES

Anti Return valve: Yes

MODELS

Number of filters: 2
Stop delay timer: Yes
Automatic lighting: Yes
Number of speeds: 5+1



CNL 6415 PLUS

ENERGY LABEL

