



# CNL 9815 PLUS 90cm pull-out Hood with EcoPower motor



LED lighting



Stop delay timer

**DESCRIPTION**

90cm pull-out Hood with EcoPower motor

**LIFE STYLE**

Maestro

**COLORS**

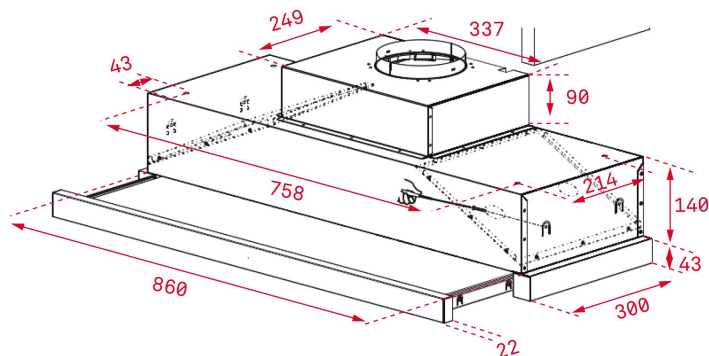


**REFERENCE**

REF. 40436860  
EAN. 8421152146262

**FEATURES**

Pull-out hood  
EcoPower motor  
Energy Efficiency class: A  
Electronic control panel  
5+1 speeds  
Exhaust capacities:  
Free Outlet, m<sup>3</sup>/h: 734  
Qboost, m<sup>3</sup>/h: 730  
Max., m<sup>3</sup>/h: 555  
Min., m<sup>3</sup>/h: 295  
Noise (LwA) Boost Speed, dB: 70,4  
Noise (LwA) Max Speed, dB: 65,3  
Noise (LwA) Min Speed, dB: 53,1  
1 LED bar  
4 stainless Steel filters MMX  
Reinforced Black Glass upper structure  
Automatic Lighting  
Exchangeable Front Panel  
Finger Print Proof Front Panel



## DIMENSIONS

**Product height (mm):** 274

**Product width (mm):** 900

**Product depth (mm):** 300/490

**Product length (mm):**

**Net weight (Kg):** 11,85

## TECH SPECS

### PARTICULAR CHARACTERISTICS

**Certificates:** CE; CB; Rohs

**Ø Outlet (mm):** 150

**Inside light Consumption (W):** 12

**Plug type:** European plug

**Power rate (V):** 230

**Frequency (Hz):** 50

**Total hood power (W):** 277

**Number of motors:** 1

**Motor power (W):** 265

**EU REGULATION NO. 65/2014  
&66/2104**

**Annual energy consumption AEC kWh/annum (kWh):** 56,6

**Energy Efficiency Class:** A

**Fluid Dynamic Efficiency (FDEhood):** 33,07926829

**Fluid Dynamic Efficiency class:** A

**Light Efficiency (Lehood) lux/Watt:** 41,7

**Lighting Efficiency class:** A

**Grease Filtering Efficiency class:** C

**Air flow (Qmin) m3/h:** 295

**Air flow (Qmax):** 555

**Air flow (Qboost):** 730

**Noise (LwA) min. speed (dB):** 53,1  
**Noise (LwA) max. speed (dB):** 65,3  
**Noise (LwA) boost speed (dB):** 70,4  
**Energy Efficiency Index (EEI):** 50,49063336  
**Time increase factor:** 0,8  
**Air pressure at best efficiency point(Pbep) Pa:** 465  
**Electric power input at best efficiency point (Wbep) W:** 164  
**Nominal power of the lighting system (WL) W:** 12  
**Average illumination of the lighting system on the cooking surface (Emiddle) Lux:** 500

## **ACCESSORIES**

**Anti Return valve:** Yes  
**Outlet reduction:** Yes  
**Conventional recirculation kit (opt) - w/tube cover:** No

## **MODELS**

**Number of filters:** 4  
**Stop delay timer:** Yes  
**Automatic lighting:** Yes  
**Number of speeds:** 5+1  
**Fingerprint proof front panel:** Yes



CNL 9815 PLUS

ENERGY LABEL

