



PERFECTA4 DLH 985 T 90cm Decorative Hood with Touch Control Display and ECOPOWER A4 motor



LED lighting



Full A 4 energy label: A class in energy efficiency, fluid dynamic, lightning and grease filtering.



Stop delay timer

DESCRIPTION

90cm Decorative Hood with Touch Control Display and ECOPOWER A4 motor

LIFE STYLE

Maestro

COLORS



REFERENCE

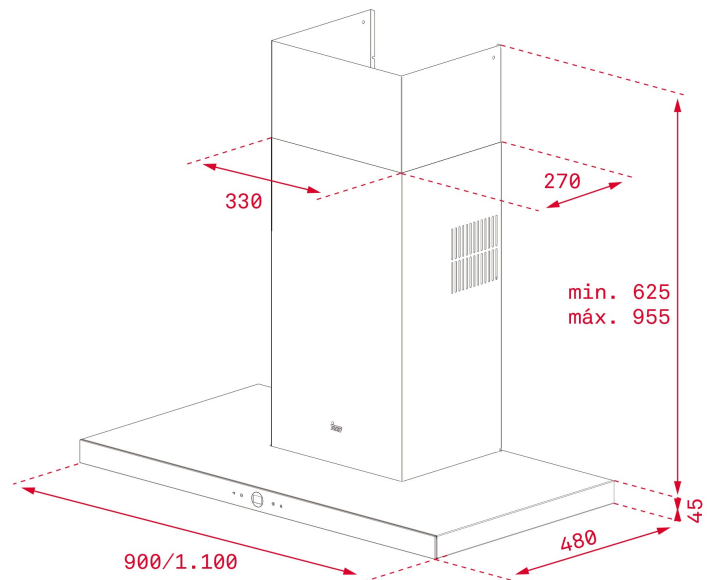
REF. 40437100
EAN. 8421152145661

FEATURES

Ultraslim decorative hood
EcoPower motor
Energy Efficiency class: A
4A (Energy efficiency A, Fluid dynamic efficiency A, lighting efficiency A, grease filtering efficiency A)
Touch control panel
Operating Pilot Light
3 speeds + 1 intensive
Exhaust capacities:
Free Outlet, m³/h: 795
Qboost, m³/h: 740
Max., m³/h: 586
Min., m³/h: 306
Noise (LwA) Boost Speed, dB: 72
Noise (LwA) Max Speed, dB: 68
Noise (LwA) Min Speed, dB: 54
1 LED BAR
3 stainless steel filters (12 layers)
Stop delay timer
Filter saturation indicator

DIMENSIONS

Product height (mm): 670-1000
Product width (mm): 900
Product depth (mm): 480
Product length (mm):
Net weight (Kg): 15,33



TECH SPECS

FEATURES

Certificates: CE; CB; Rohs
Ø Outlet (mm): 150
Inside light Consumption (W): 17
Plug type: Schuko plug
Power rate (V): 230
Frequency (Hz): 50
Total hood power (W): 287
Number of motors: 1
Motor power (W): 280

ACCESSORIES

Anti Return valve: Yes
Outlet reduction: Yes
Outlet extension: No
Optional Charcoal Filter: C1RTK
Regenerative charcoal filter: R1RTK
Conventional recirculation kit (opt) - w/tube cover: CFH 15200 L3C
Regenerative recirculation kit (opt) - w/tube cover: RFH 15200 L3C

MODELS

Number of filters: 3

Stop delay timer: Yes

Filter saturation indicator: Yes

Time clock: Yes

Easy-clean inside panel: Yes

Number of speeds: 3+1



PERFECTA4 DLH 985 T

ENERGY LABEL

