



# PERFECTA4 DLH 1185 T 110cm Decorative Hood with Touch Control Display and ECOPOWER A4 motor



LED lighting



Full A 4 energy label: A class in energy efficiency, fluid dynamic, lightning and grease filtering.



Stop delay timer

## DESCRIPTION

110cm Decorative Hood with Touch Control Display and ECOPOWER A4 motor

## LIFE STYLE

Maestro

## COLORS



## REFERENCE

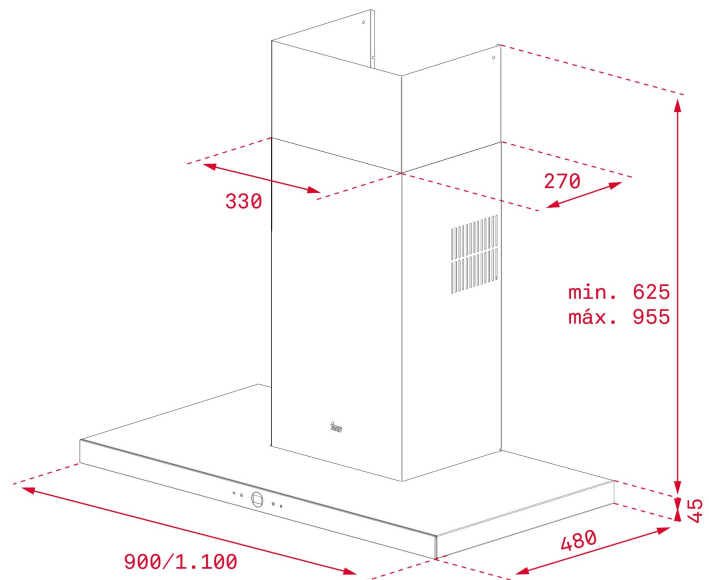
REF. 40437110  
EAN. 8421152145678

**FEATURES**

Ultraslim decorative hood  
EcoPower motor  
Energy Efficiency class: A  
4A (Energy efficiency A, Fluid dynamic efficiency A, lighting efficiency A, grease filtering efficiency A)  
Touch control panel  
Operating Pilot Light  
3 speeds + 1 intensive  
Exhaust capacities:  
Free Outlet, m<sup>3</sup>/h: 795  
Qboost, m<sup>3</sup>/h: 740  
Max., m<sup>3</sup>/h: 586  
Min., m<sup>3</sup>/h: 306  
Noise (LwA) Boost Speed, dB: 72  
Noise (LwA) Max Speed, dB: 68  
Noise (LwA) Min Speed, dB: 54  
1 LED BAR  
3 stainless steel filters (12 layers)  
Stop delay timer  
Filter saturation indicator

## DIMENSIONS

**Product height (mm):** 670-1000  
**Product width (mm):** 1100  
**Product depth (mm):** 480  
**Product length (mm):**  
**Net weight (Kg):** 16,64



## TECH SPECS

### PARTICULAR CHARACTERISTICS

**Certificates:** CE; CB; Rohs  
**Ø Outlet (mm):** 150  
**Inside light Consumption (W):** 17  
**Plug type:** Schuko plug  
**Power rate (V):** 230  
**Frequency (Hz):** 50  
**Total hood power (W):** 287  
**Number of motors:** 1  
**Motor power (W):** 280

**EU REGULATION NO. 65/2014 &66/2104**

**Annual energy consumption AEC kWh/annum (kWh):** 41  
**Energy Efficiency Class:** A  
**Fluid Dynamic Efficiency (FDEhood):** 34,27913279  
**Fluid Dynamic Efficiency class:** A  
**Light Efficiency (Lehood) lux/Watt:** 55,7  
**Lighting Efficiency class:** A  
**Grease Filtering Efficiency class:** A  
**Air flow (Qmin) m3/h:** 352  
**Air flow (Qmax):** 651  
**Air flow (Qboost):** 760

**Noise (LwA) min. speed (dB):** 54,3  
**Noise (LwA) max. speed (dB):** 67,8  
**Noise (LwA) boost speed (dB):** 71,8  
**Off mode Power (Po) W:** 0,32  
**Energy Efficiency Index (EEI):** 47,23502304  
**Time increase factor:** 0,8  
**Air pressure at best efficiency point(Pbep) Pa:** 417  
**Electric power input at best efficiency point (Wbep) W:** 123  
**Nominal power of the lighting system (WL) W:** 7  
**Average illumination of the lighting system on the cooking surface (Emiddle) Lux:** 390

## **ACCESSORIES**

**Anti Return valve:** Yes  
**Outlet reduction:** Yes  
**Regenerative charcoal filter:** R1RTK  
**Conventional recirculation kit (opt) - w/tube cover:** CFH 15200 L2C  
**Regenerative recirculation kit (opt) - w/tube cover:** RFH 15200 L2C

## **MODELS**

**Number of filters:** 3  
**Stop delay timer:** Yes  
**Filter saturation indicator:** Yes  
**Time clock:** Yes  
**Number of speeds:** 3+1



PERFECTA4 DLH 1185 T

ENERGY LABEL

