



QUADRO DLV 998 90cm A++ Vertical Hood With Countour Rim System Extraction



LED lighting



Rim extraction



Stop delay timer

DESCRIPTION

90cm A++ Vertical Hood With Countour Rim System Extraction

LIFE STYLE

Maestro

COLORS

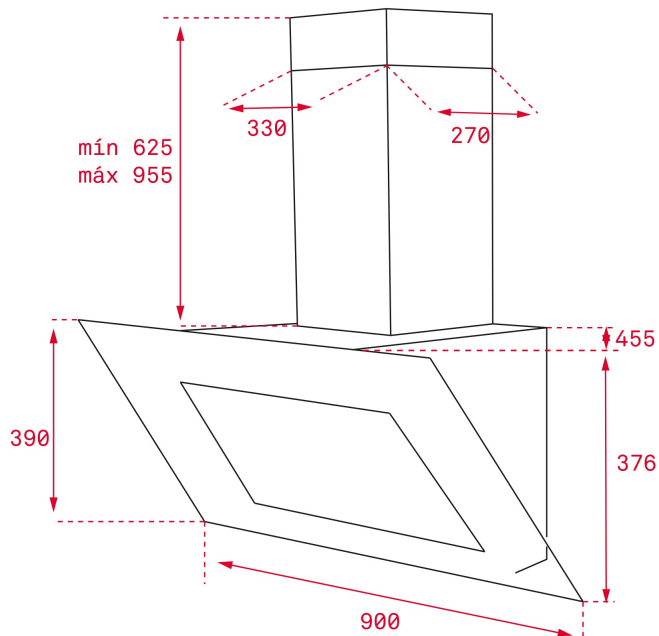


REFERENCE

REF. 40437210
EAN. 8421152145692

FEATURES

Ultraslim Decorative Hood
ECOPOWER Motor
Energy Efficiency Class: A++
Rim Extraction
Touch Control Panel
Operating Pilot Light
3 Speeds + 1 Intensive
Exhaust Capacities:
Free Outlet, M³/H: 890
Qboost, M³/H: 815
Max., M³/H: 626
Min., M³/H: 264
Noise (Lwa) Boost Speed, db: 65
Noise (Lwa) Max Speed, db: 58
Noise (Lwa) Min Speed, db: 37
1 LED Bar
2 Glass Panel; Aluminum Filter Below
Stop Delay Timer
Filter Saturation Indicator



DIMENSIONS

Product height (mm): 800/1200
Product width (mm): 900
Product depth (mm): 450
Product length (mm):
Net weight (Kg): 19,77

TECH SPECS

PARTICULAR CHARACTERISTICS

Type of hood: Vertical
Style: Decoratives
Certificates: CE; CB; Rohs
Ø Outlet (mm): 150
Inside light Consumption (W): 7
Plug type: Schuko plug
Power rate (V): 230
Frequency (Hz): 50
Total hood power (W): 172
Number of motors: 1
Motor power (W): 165
Exhaust Capacity - Free Outlet (m³/h): 890

**EU REGULATION NO. 65/2014
&66/2104**

Annual energy consumption AEC kWh/annum (kWh): 27,0
Energy Efficiency Class: A++
Fluid Dynamic Efficiency (FDEhood): 38,2
Fluid Dynamic Efficiency class: A
Light Efficiency (Lehood) lux/Watt: 55,7
Lighting Efficiency class: A
Grease Filtering Efficiency class: C

Air flow (Qmin) m³/h: 264

Air flow (Qmax): 626

Air flow (Qboost): 816

Noise (LwA) Min Speed (dB): 37

Noise (LwA) Max Speed (dB): 58

Noise (LwA) boost speed (dB): 65

Off mode Power (Po) W: 0,32

Energy Efficiency Index (EEI): 36,4

Time increase factor: 0,6

Electric power input at best efficiency point (Wbep) W: 100,0

Nominal power of the lighting system (WL) W: 7

Average illumination of the lighting system on the cooking surface (Emiddle) Lux: 390

ACCESSORIES

Anti Return valve: Yes

Outlet reduction: Yes

MODELS

Number of filters: 2

Stop delay timer: Yes

Filter saturation indicator: Yes

Time clock: Yes

Number of speeds: 3+1



QUADRO DLV 998

ENERGY LABEL

The image shows a standard European Energy Label for a Teka DLV 998. The label is rectangular with a blue border and contains the following information:

- Top Left:** European Union flag and the word "ENERG" in large letters, with "енергия · енергiя" below it. To the right are two circular icons: one with "Y" and "A" and another with "IE" and "A".
- Brand and Model:** "Teka" on the left and "DLV 998" on the right.
- Energy Efficiency Scale:** A vertical bar on the left shows seven energy efficiency classes from A++ (top, dark green) to E (bottom, red). A black arrow on the right points to the A++ class.
- Annual Energy Consumption:** A box on the right contains the number "27" and "kWh/annum" below it.
- Additional Metrics:** Four icons in a row at the bottom represent: 1) Fan speed (A, B, C, D, E, F, G), 2) Light emission (A, B, C, D, E, F, G), 3) Water consumption (A, B, C, D, E, F, G), and 4) Sound power level (58 dB).
- Bottom Left:** The text "65/2014".
- Bottom Right:** A small number "1130157-0".