



TL 740 Pull-out Hood with 3 speeds



DESCRIPTION

Pull-out Hood with 3 speeds

LIFE STYLE

Easy

COLORS



REFERENCE

REF. 40474100
EAN. 8421152131329



TEKA

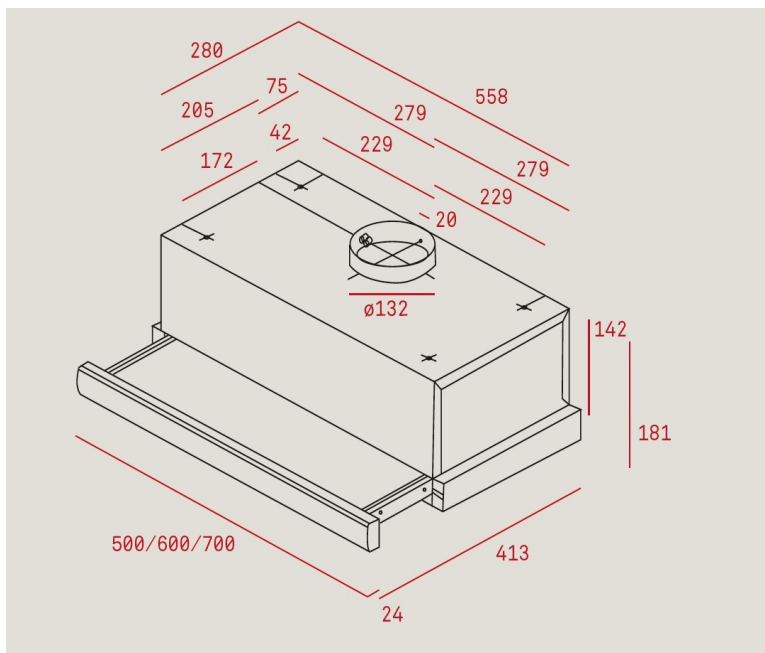
TL 740

FEATURES

Pull-out hood
Switch control panel
Conventional aspiration
3 speeds
Exhaust capacities:
Free Outlet (m³/h): 408
Max. (m³/h): 388
Min. (m³/h): 182
Noise (LwA) Max Speed 69 dB
Noise (LwA) Min Speed 55 dB
Integrated halogen lamps
2 aluminium filters

DIMENSIONS

Product height (mm):
Product width (mm): 700
Product depth (mm):
Product length (mm):
Net weight (Kg):



TECH SPECS

PARTICULAR CHARACTERISTICS

Ø Outlet (mm): 120
Power rate (V): 230
Frequency (Hz): 50
Total hood power (W): 315
Number of motors: 2
Motor power (W): 260

**EU REGULATION NO. 65/2014
 &66/2104**

Annual energy consumption AEC kWh/annum (kWh): 244
Energy Efficiency Class: F
Fluid Dynamic Efficiency (FDEhood): 5,1
Fluid Dynamic Efficiency class: F
Light Efficiency (Lehood) lux/Watt: 1,0
Lighting Efficiency class: G
Grease Filtering Efficiency class: D
Air flow (Qmin) m³/h: 182
Air flow (Qmax): 388
Noise (LwA) min. speed (dB): 55
Noise (LwA) max. speed (dB): 69
Off mode Power (Po) W: 0,00
Standby Power (Ps) W: 0,00
Time increase factor: 1,8
Air pressure at best efficiency point(Pbep) Pa: 203
Electric power input at best efficiency point (Wbep) W: 309,0
Nominal power of the lighting system (WL) W: 56,0

ACCESSORIES

Average illumination of the lighting system on the cooking surface (Emiddle) Lux: 54

Anti Return valve: Yes

Conventional recirculation kit (opt) - w/tube cover: No

MODELS

Number of filters: 2

Number of speeds: 3



TL 740

ENERGY LABEL

