



DVT 985 90cm Vertical Hood With Contour Rim Extraction System And Touch Control Display



LED lighting



Rim extraction



Stop delay timer

DESCRIPTION

90cm Vertical Hood With Contour Rim Extraction System And Touch Control Display

LIFE STYLE

Maestro

COLORS



REFERENCE

REF. 40483572
EAN. 8421152130711

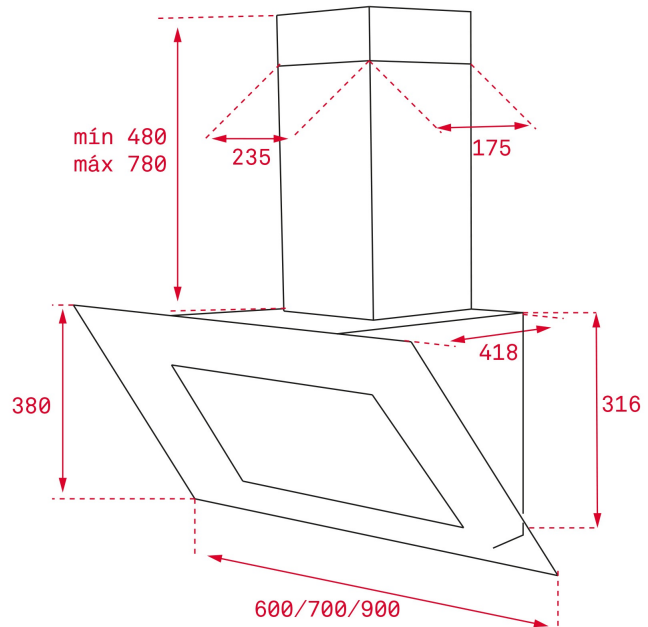


TEKA

DVT 985

FEATURES

Vertical Decorative Hood
Eco Power
Touch Control Panel
Rim Extraction
3 Speeds + 1 Intensive
Exhaust Capacities:
Free Outlet (M³/H): 895
Max. (M³/H): 786
Min. (M³/H): 303
Noise (Lwa) Max Speed 66 db
Noise (Lwa) Min Speed 52 db
LED Illumination
1 Aluminium Filter
Stop Delay Timer
Filter Saturation Indicator



DIMENSIONS

Product height (mm): 860-1160

Product width (mm): 900

Product depth (mm): 418

Product length (mm):

Net weight (Kg): 14,72

TECH SPECS

PARTICULAR CHARACTERISTICS

Certificates: CE; CB

Ø Outlet (mm): 150

Inside light Consumption (W): 3

Plug type: European plug

Power rate (V): 220-240

Frequency (Hz): 50

Total hood power (W): 286

Number of motors: 1

Motor power (W): 280

EU REGULATION NO. 65/2014 &66/2104

Annual energy consumption AEC kWh/annum (kWh): 51,1

Energy Efficiency Class: A

Fluid Dynamic Efficiency (FDEhood): 32,31556666

Fluid Dynamic Efficiency class: A

Light Efficiency (Lehood) lux/Watt: 69,8

Lighting Efficiency class: A

Grease Filtering Efficiency class: C

Air flow (Qmin) m3/h: 303

Air flow (Qmax): 599

Air flow (Qboost): 786

Noise (LwA) min. speed (dB): 52
Noise (LwA) max. speed (dB): 66
Noise (LwA) boost speed (dB): 71
Off mode Power (Po) W: 0
Standby Power (Ps) W: 0,74
Energy Efficiency Index (EEI): 47,89128397
Time increase factor: 0,8
Air pressure at best efficiency point(Pbep) Pa: 460
Electric power input at best efficiency point (Wbep) W: 160,1
Nominal power of the lighting system (WL) W: 6
Average illumination of the lighting system on the cooking surface (Emiddle) Lux: 419

ACCESSORIES

Anti Return valve: Yes
Outlet reduction: Yes
Conventional recirculation kit (opt) - w/tube cover: SET 1/M1

MODELS

Number of filters: 1
Stop delay timer: Yes
Filter saturation indicator: Yes
Number of speeds: 3+1



DVT 985

ENERGY LABEL

