



DSH 985 90cm hood with EcoPower motor



LED lighting



Stop delay timer

DESCRIPTION

90cm hood with EcoPower motor

LIFE STYLE

Total

COLORS



REFERENCE

REF. 40484202
EAN. 8421152157350



TEKA

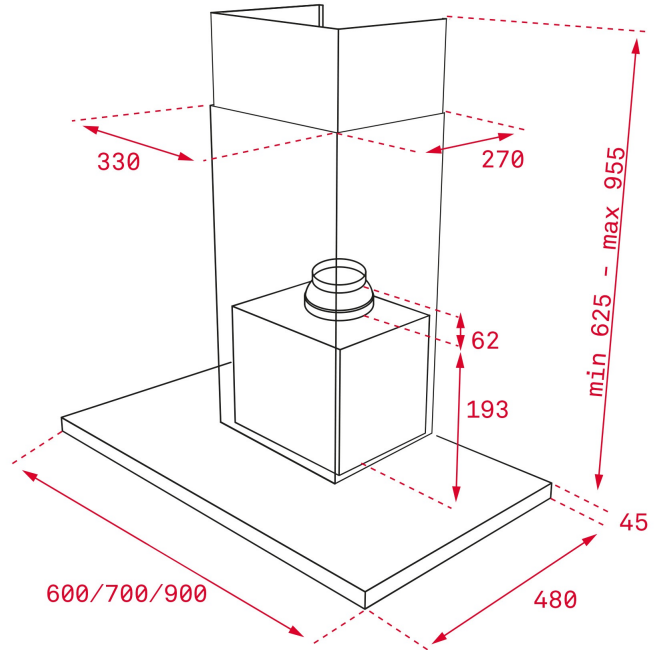
DSH 985

FEATURES

EcoPower motor
Energy Efficiency class: A
Electronic control
Digital display
3 speeds + 1 intensive
Stop delay timer
Noise(*): min. 54 dBA - máx. 68 dBA
LED Light Bar
2 Stainless steel filters
Stop delay timer
Filter saturation indicator

DIMENSIONS

Product height (mm): 670-1000
Product width (mm): 900
Product depth (mm): 480
Product length (mm):
Net weight (Kg): 15,33



TECH SPECS

FEATURES

Certificates: CE; CB; Rohs
Ø Outlet (mm): 150
Inside light Consumption (W): 6
Plug type: Schuko plug
Power rate (V): 220240
Frequency (Hz): 50
Total hood power (W): 286
Number of motors: 1
Motor power (W): 280

ACCESSORIES

Anti Return valve: Yes
Outlet reduction: Yes
Outlet extension: No
Optional Charcoal Filter: C1RTK
Regenerative charcoal filter: R1RTK
Conventional recirculation kit (opt) - w/tube cover: CFH 15200 L3C
Regenerative recirculation kit (opt) - w/tube cover: RFH 15200 L3C

MODELS**Number of filters:** 3**Stop delay timer:** Yes**Filter saturation indicator:** Yes**Number of speeds:** 3+1



DSH 985

ENERGY LABEL

