



DW8 60 S Free Standing Dishwasher with capacity for 6 cutlery in 60cm



ECO function



SmartSensor

DESCRIPTION

Free Standing Dishwasher with capacity for 6 cutlery in 60cm

LIFE STYLE

Total

COLORS



REFERENCE

REF. 40716160
EAN. 8421152072196

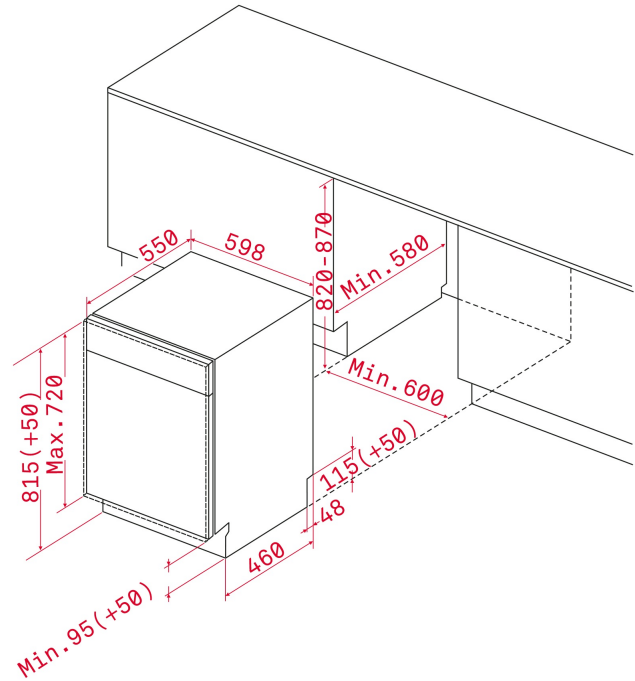


TEKA

DW8 60 S

FEATURES

Partially integrated dishwasher
Electronic control panel
Place Settings : 13
Washing programs : 5
Washing temperatures : 38°, 55°,
65°, 70° C
Full Aquastop
Aqualogic
3 in 1 selector
Dual half load
Fast program 38 minutes
Eco program
Intensive program (70 °C)
Third sprayer
5 positions water softener with
electronic adjustment
Automatic adjustable upper basket
Indicator pilots for : On-off, lack of salt
and rinse aid
Back feet adjustment from front
Energy class : A+/A
Noise level Db(A) : 47
Power supply : 220/230V -50 Hz



DIMENSIONS

Product height (mm): 820-870
Product width (mm): 596
Product depth (mm): 550
Product length (mm):
Net weight (Kg): 41

TECH SPECS

FITTING MEASURES

Built-in niche height (cm): 82
Maximum door height (mm): 594
Plinth (mm): 50
Door width (mm): 596

PRODUCT SHEET

Capacity (Place Settings): 13
Energy consumption (kWh/year): 294
Power consumption (Kwh): 1,05
Water consumption (litres/year): 2660
Water consumption (litres): 9.5
Noise level (dB): 47
Certificates: CE-VDE

POWER SUPPLY

Frequency (Hz): 50
Power rate (V): 220-230
Power rate (W): 1900
Plug type: EU
Maximum Nominal Power (W): 1900

**PARTICULAR
CHARACTERISTICS**

Type of installation: Built-in
Number of programs: 5
Number Of Washing Temperatures: 4
Aqua-Logic: Yes
Water softener: Yes
Microfilter: Yes

SECURITY SYSTEM

Internal Leakage Control: Yes
Aquastop: Yes

CONTROL INDICATOR LIGHTS

Low Salt Aid indicator: Yes
Low Rinse Aid indicator: Yes
Selected program indicator: Yes
End of program acoustic alarm: Yes
End of program visual alarm: Yes

SPECIAL FUNCTIONS

Fast program: Yes
Fast program (minutes): 38
Economic program: Yes
Alternative wash (Zone Wash): Yes
Delayed Timer (h): NO

EQUIPMENT

Adjustable Feet Back: Yes
Adjustable feet front: Yes
3rd sprayer: Yes
Adjustable back feet from front: Yes



DW8 60 S

ENERGY LABEL

