



HSB 620 P 60cm Multifunction Pyrolytic Oven cleaning system DualClean



DualClean:
Pyrolysis +
HydroClean



HydroClean



70L capacity



Pyrolytic
cleaning
system with 3
cleaning levels

DESCRIPTION

60cm Multifunction Pyrolytic Oven cleaning system DualClean

LIFE STYLE

Total

COLORS



REFERENCE

REF. 41566030
EAN. 8421152148839

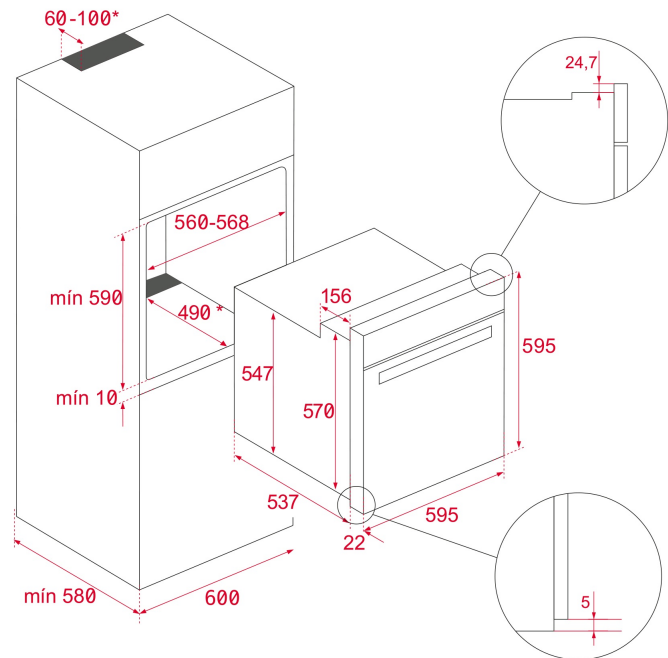


TEKA

HSB 620 P

FEATURES

Pyrolytic Multifunction
3 pyrolytic cleaning cycles
HydroClean® PRO cleaning system
Enamel Slippery
A+ Energy class: up to 20% less consumption
Capacity, gross/net: 71/70 litres
Touch Control panel with LED display
Express preheating
ECO & defrosting functions
Children safety block, timer and door
Automatic disconnection security system
Triple removable glazed door
Full glass inner door
Anti-tip deep tray and cooking grid
Tangential ventilation Plus with 2 speeds
Optional Multicook and cast aluminium tray



DIMENSIONS

Product height (mm): 595

Product width (mm): 595

Product depth (mm): 537+22

Product length (mm):

Net weight (Kg): 31

TECH SPECS

PARTICULAR CHARACTERISTICS

Certificates: N / CE / CCA / CB

Number of cavities: 1

Enamelled cavity: Yes

Function selector: 11+0

Number of cooking functions: 8

Grill function: Yes

MaxiGrill function: Yes

Bottom function: Yes

ECO function: Yes

Mechanical quick heating: Yes

Touch Control Programmer: Yes

Removable chromed tray guides: Yes

Number of guide levels: 5

ELECTRIC CONNECTION

Maximum Nominal Power (W): 3552

Frequency (Hz): 50/60

Power rate (V): 220-240

Cable Connection Length (cm): 110

Inside light Consumption (W): 25

ENERGY CONSUMPTION

Energy consumption per cycle in conventional mode (kWh):

0.88

Energy consumption per cycle in fan-forced convection mode

(kWh): 0,68

Bottom Heating Element (W): 1050

Grill (W): 1400

Maxi Grill (W): 2450

Traditional (W): 2450

Multifunction Turbo (W): 25

Cooling Fan Motor (W): 30

SECURITY SYSTEM

Automatic disconnection when opening the door: Yes

Panel blocking system: Yes

Children safety block option: Yes

Grill protection: Yes

Anti-tip tray system: Yes

Safety Thermostat: Yes

CLEANING SYSTEM

Crystal Clean Enamel (Slippery): Yes

Hydroclean PRO: Yes

Pyrolytic: Yes

DualClean: Yes

ACCESSORIES

Deep Tray (50 mm): 1

The SteamBox: 0

Glass Tray: 0

Standard grid: 1



HSB 620 P

ENERGY LABEL

The energy label for the TEKA HSB 620 P dishwasher features the following information:

- Energy Class:** A+ (indicated by a black arrow pointing to the A+ bar on the scale)
- Energy Consumption (Normal Cycle):** 0.88 kWh/cycle*
- Energy Consumption (Eco Cycle):** 0.68 kWh/cycle*
- Capacity:** 70 L
- Model:** HSB 620 P
- Energy Label Scale:** A+++ (dark green), A++ (green), A+ (yellow-green), A (yellow), B (orange), C (red-orange), D (red)

* uuneta - cyklus; portion - zklus; uplozovanie - ciclo; tsakketi - ohjelma - ciklus; ciklus - ciks - ciklu - cyclus - cykl - ciclo - program - cykelt

65/2014